



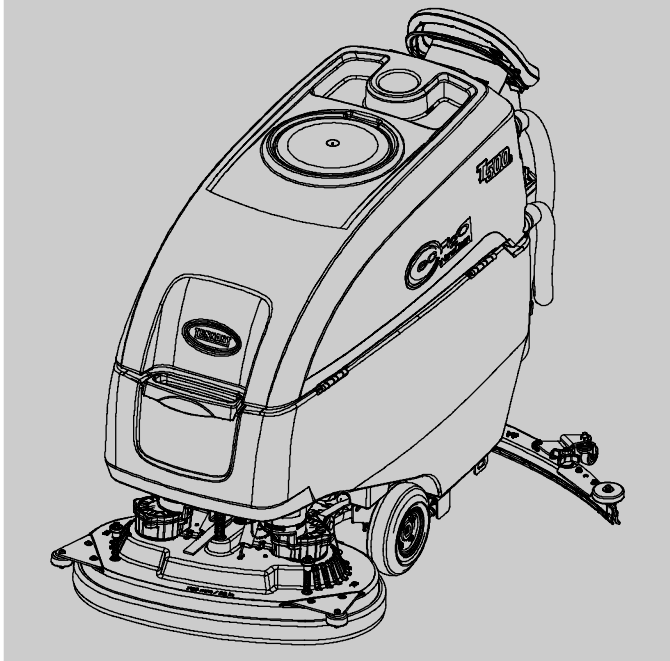
# T500e

Walk-Behind Floor Scrubber

## Parts Manual



(S/N 10000000-20000000)



Tennant True® Parts  
IRIS® a Tennant Technology  
Insta-Fit™ Adapter  
Smart-Fill™ Automatic Battery Watering



For the latest Parts manuals and other language Operator manuals, visit:

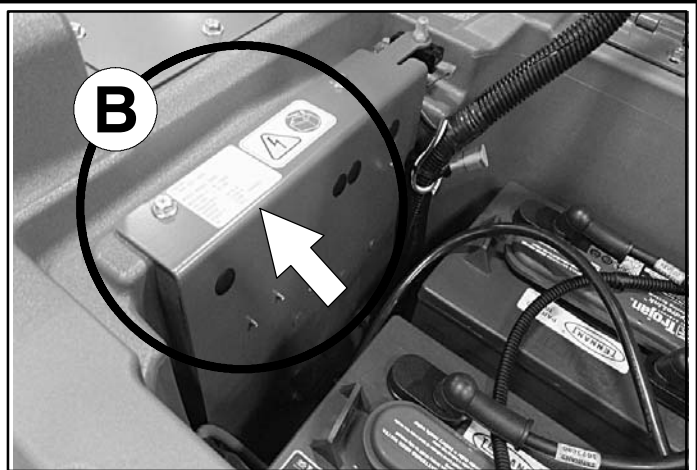
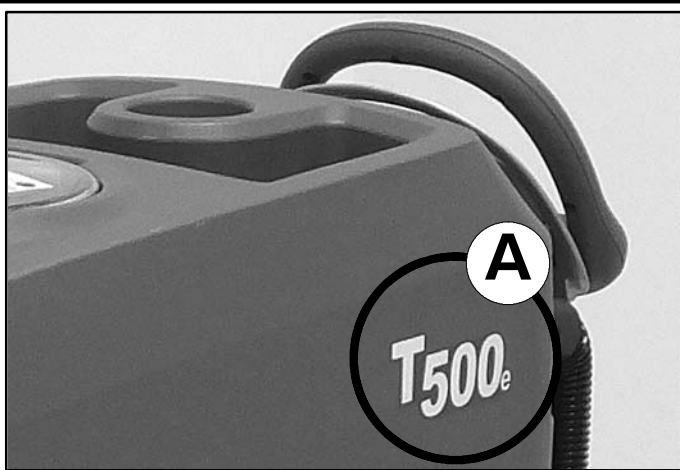
[www.tennantco.com/manuals](http://www.tennantco.com/manuals)

**North America / International**

[www.tennantco.com](http://www.tennantco.com)

9015505  
Rev. 01 (04-2017)





Ref	Part No.	Serial Number	Description	Qty.
1	82681	(000000- )	Bracket W/dt, Lpg Mount	1
∇ 2	63810	(000000- )	Latch Assy, Lpg Tank Mtg, W/Nut	4
▲ 3	51839	(000000- )	Nut Adjustable, Lpg Tank Mtg	2
4	49263	(000000- )	Tie, Cable	3
(D) 82556	82556	(000000- 001039)	Bracket, Vaporizer	1
	54930	(000000- )	Vaporizer, LPG	1

**HOW TO ORDER PARTS - See diagram above**

Only use TENNANT Company supplied or equivalent parts. Parts and supplies may be ordered online, by phone, by fax or by mail.

Follow the steps below to ensure prompt delivery.

1. (A) Identify the machine model.
2. (B) Identify the machine serial number from the data label.
3. (C) Ensure the proper serial number is used from the parts list.
4. Identify the part number and quantity. Do not order by page or reference numbers.
5. Provide your name, company name, customer ID number, billing and shipping address, phone number and purchase order number.
6. Provide detail shipping instructions.

- (D) ∇ - identifies an assembly  
 ▲ - identifies parts included in assembly

**Please fill out at time of installation for future reference.**

Model No. - \_\_\_\_\_  
 Serial No. - \_\_\_\_\_  
 Machine Options - \_\_\_\_\_  
 Sales Rep. - \_\_\_\_\_  
 Sales Rep. phone no. - \_\_\_\_\_  
 Customer ID Number - \_\_\_\_\_  
 Installation Date - \_\_\_\_\_

**Tennant Company**  
 PO Box 1452  
 Minneapolis, MN 55440 USA  
 Phone: (800) 553- 8033  
 www.tennantco.com

<b>ES</b>	<p><b>CÓMO SOLICITAR PIEZAS - Consulte el diagrama anterior.</b></p> <p>Utilice sólo las piezas suministradas por TENNANT Company o piezas equivalentes. Puede solicitar las piezas a través de internet, por teléfono, por fax o por correo.</p> <p>Siga los siguientes pasos para que la entrega sea rápida.</p> <ol style="list-style-type: none"> <li>1. <b>(A)</b> Indique el modelo de máquina.</li> <li>2. <b>(B)</b> Indique el número de serie de la etiqueta de datos.</li> <li>3. <b>(C)</b> Asegúrese de que indica el número de serie correcto de la lista de piezas.</li> <li>4. Indique la cantidad y el número de la pieza. No realice el pedido indicando el número de página o el de referencia.</li> <li>5. Incluya su nombre, el nombre de la empresa, el ID de cliente, las direcciones de envío y facturación, el número de teléfono y el número del pedido de compra.</li> <li>6. Facilite instrucciones de envío.</li> </ol> <hr/> <p><b>(D)</b>    ▽ - identifica un conjunto           ▲ - identifica piezas de un conjunto</p>	<p><b>Rellene estos datos cuando realice la instalación para utilizarlos como referencia en el futuro.</b></p> <p>Nº modelo - _____</p> <p>Nº serie - _____</p> <p>Opciones de la máquina - _____</p> <p>Vendedor - _____</p> <p>Nº teléfono vendedor - _____</p> <p>Nº cliente - _____</p> <p>Fecha de instalación - _____</p>
-----------	---	---

<b>FR</b>	<p><b>COMMENT COMMANDER DES PIÈCES DÉTACHÉES - Voir le schéma ci-dessus.</b></p> <p>Utilisez uniquement des pièces fournies par la société TENNANT ou équivalentes. Les pièces et fournitures peuvent être commandées en ligne, par téléphone, fax, ou par courrier.</p> <p>Suivez les étapes ci-dessous pour assurer une livraison rapide.</p> <ol style="list-style-type: none"> <li>1. <b>(A)</b> Identifiez le modèle de la machine.</li> <li>2. <b>(B)</b> Identifiez le numéro de série de la machine, à partir de l'étiquette signalétique.</li> <li>3. <b>(C)</b> Assurez-vous que le numéro de série correct est utilisé à partir de la liste de pièces détachées.</li> <li>4. Identifiez le numéro de pièce et la quantité. Ne commandez pas par page ou numéros de référence.</li> <li>5. Fournissez votre nom, le nom de votre société, votre numéro d'identification de client, l'adresse de facturation et d'expédition, le numéro de téléphone et le numéro du bon de commande.</li> <li>6. Fournissez des instructions d'expédition détaillées.</li> </ol> <hr/> <p><b>(D)</b>    ▽ - identifie un assemblage           ▲ - identifie les pièces composant l'assemblage</p>	<p><b>A remplir au moment de l'installation à titre de référence.</b></p> <p>Nº du modèle - _____</p> <p>Nº de série - _____</p> <p>Options de la machine - _____</p> <p>Agent commercial - _____</p> <p>Nº tél. de l'agent commercial - _____</p> <p>Numéro d'identification client - _____</p> <p>Date d'installation - _____</p>
-----------	---	---



**STANDARD PARTS**

GENERAL RECOMMENDED MAINTENANCE ITEMS .....	7
REPLACEMENT BRUSHES AND PAD DRIVER DISK .....	10
REPLACEMENT BRUSHES CYLINDRICAL .....	12
REPLACEMENT PADS ORBITAL .....	13
SCRUB HEAD GROUP, DISK 650MM / 26IN ...	14
SCRUB HEAD GROUP, DISK 700MM / 28IN ...	16
SCRUB HEAD GROUP, DISK 800MM / 32IN ...	18
SCRUB HEAD GROUP, CYLINDRICAL 700MM / 28IN .....	20
SCRUB HEAD GROUP, CYLINDRICAL 700MM / 28IN - CONT'D .....	22
SCRUB HEAD GROUP, ORBITAL 700MM / 28IN .....	24
RECOVERY TANK GROUP .....	26
SOLUTION TANK GROUP .....	28
STANDARD ELECTRICAL GROUP .....	30
FRAME AND DRIVE GROUP .....	32
HEAD LIFT GROUP, DISK .....	34
HEAD LIFT GROUP, CYLINDRICAL .....	36
HEAD LIFT GROUP, ORBITAL .....	38
LOWER CONSOLE GROUP, ON- BOARD CHARGER .....	40
LOWER CONSOLE GROUP, OFF- BOARD CHARGER .....	42
CONSOLE GROUP .....	44
SQUEEGEE LIFT GROUP .....	46
SQUEEGEE ASSEMBLY, 500MM / 20IN .....	48
SQUEEGEE ASSEMBLY, 650MM / 26IN .....	50
SQUEEGEE ASSEMBLY, 700MM / 28IN .....	52
SQUEEGEE ASSEMBLY, 800MM / 32IN .....	54
STANDARD SOLUTION GROUP .....	56
STANDARD BATTERY CABLES GROUP .....	58
LABEL GROUP .....	59
ELECTRICAL DIAGRAM .....	60
ELECTRICAL HARNESS, MAIN .....	64
ELECTRICAL HARNESS, OPERATOR STATION	70
ELECTRICAL HARNESS, BAIL SWITCH .....	72

**OPTIONS**

TELEMETRY BATTERY CABLES GROUP .....	73
TELEMETRY ELECTRICAL GROUP .....	74
ec-H2O SOLUTION GROUP .....	76
PARKING BRAKE GROUP .....	78
CONTROL VALVE DRAIN HOSE .....	80
BATTERY GROUP, WET 225AH .....	81
BATTERY GROUP, WET 260AH .....	82
BATTERY GROUP, AGM 220AH .....	83
SMART-FILL™ AUTOMATIC BATTERY WATERING GROUP .....	84
HYDROLINK® MANUAL BATTERY WATERING KIT .....	86
DOCUMENTATION GROUP .....	88

**BREAKDOWNS**

ec- H2O NANOCLEAN MODULE BREAKDOWN	90
ORBITAL HEAD ECCENTRIC DRIVE BREAKDOWN .....	92
AUTOMATIC BATTERY WATERING MODULE BREAKDOWN .....	94

# TABLE OF CONTENTS

---

# RECOMMENDED MAINTENANCE ITEMS

## GENERAL RECOMMENDED MAINTENANCE ITEMS

Part No.	Serial Number	Description	Qty.
1223989	(10000000- 20000000 )	Brush Assy, Disk, Scb, 13.0d, Pyp	2
1223991	(10000000- 20000000 )	Brush Assy, Disk, Scb, 13.0d, Nyl	2
1223990	(10000000- 20000000 )	Brush Assy, Disk, Scb, 13.0d, Sab	2
89046	(10000000- 20000000 )	Pad, Stripping, 13.0d, Brown[1pick=1pad]	2
89047	(10000000- 20000000 )	Pad, Scb, 13.0d, Blu	2
89048	(10000000- 20000000 )	Pad, Buff, 13.0d, Red [1pick=1pad]	2
89049	(10000000- 20000000 )	Pad, Polish, 13.0d, White [1pick=1pad]	2
1051024	(10000000- 20000000 )	Pad, Surf Prep, 13.0d [Mar, 1pick=1pad]	2
1220218	(10000000- 20000000 )	Brush Assy, Disk, Scb, 14.0d, Pyp	2
1221541	(10000000- 20000000 )	Brush Assy, Disk, Scb, 14.0d, Nyl	2
1220217	(10000000- 20000000 )	Brush Assy, Disk, Scb, 14.0d, Sab	2
222327	(10000000- 20000000 )	Pad, Stripping, 14.0d, Brown[1pick=1pad]	2
222326	(10000000- 20000000 )	Pad, Scb, 14.0d, Blu [1pick=1pad]	2
222325	(10000000- 20000000 )	Pad, Buff, 14.0d, Red	2
222324	(10000000- 20000000 )	Pad, Polish, 14.0d, White [1pick=1pad]	2
370091	(10000000- 20000000 )	Pad, Stripping, 14.0d, Blk [Hi Prod]	2
1051026	(10000000- 20000000 )	Pad, Surf Prep, 14.0d [Mar, 1pick=1pad]	2
1220216	(10000000- 20000000 )	Brush Assy, Disk, Scb, 16.0d, Pyp	2
1220215	(10000000- 20000000 )	Brush Assy, Disk, Scb, 16.0d, Nyl	2
1220214	(10000000- 20000000 )	Brush Assy, Disk, Scb, 16.0d, Sab	2
63248- 1	(10000000- 20000000 )	Pad, Stripping, 16.0d, Brown[1pick=1pad]	2
63248- 2	(10000000- 20000000 )	Pad, Scb, 16.0d, Blu [1pick=1pad]	2
63248- 3	(10000000- 20000000 )	Pad, Buff, 16.0d, Red [1pick=1pad]	2
63248- 4	(10000000- 20000000 )	Pad, Polish, 16.0d, White [1pick=1pad]	2
370092	(10000000- 20000000 )	Pad, Stripping, 16.0d, Blk [Hi Prod]	2
1051027	(10000000- 20000000 )	Pad, Surf Prep, 16.0d [Mar, 1pick=1pad]	2
222304	(10000000- 20000000 )	Brush, Scb, 28l, 18sr, Pyp, Spl	2
222305	(10000000- 20000000 )	Brush, Scb, 28l, 18sr, Nyl, Spl	2
222306	(10000000- 20000000 )	Brush, Scb, 28l, 18sr, Abr, Spl	2
1223247	(10000000- 20000000 )	Pad, Scb, 28 X 14, Blu [1pick=1pc]	1
1218157	(10000000- 20000000 )	Pad, Buff, 28 X 14, Red [1pick=1pc]	1
1223246	(10000000- 20000000 )	Pad, Polish, 28 X 14, White [1pick=1pc]	1
1223248	(10000000- 20000000 )	Pad, Surf Prep, 28 X 14, Mar [1pick=1pc]	1
1223250	(10000000- 20000000 )	Pad, Scb, 28 X 14, Green [1pick=1ctn]	1
1075563	(10000000- 20000000 )	Pad, Stripping, 28 X 14, Blk [1pick=1ctn]	1
1221839	(10000000- 20000000 )	Pad, Backer, 28 X 14	1
222403	(10000000- 20000000 )	Wheel, 02.0d 0.88w 0.50b (Disk Head)	2
1221522	(10000000- 20000000 )	Bumper, Head, 65cm, Skirt, Im [T500]	1
1221520	(10000000- 20000000 )	Bumper, Head, 70cm, Skirt, Im [T500]	1
1221512	(10000000- 20000000 )	Bumper, Head, 80cm, Skirt, Im [T500]	1
630477	(10000000- 20000000 )	Wheel, Pyu, 02.0d 0.38w, Gray (Cylindrical Head)	6
▽ 1023067	(10000000- 20000000 )	Motor, Ele, 24vdc 0220rpm 0.75hp Gear (Disk Head)	2
▲ 1031775	(10000000- 20000000 )	Brush Kit, Carbon, Motor, Replmt [T5] (Disk Head)	1
▽ 1223429	(10000000- 20000000 )	Motor, Ele, 24vdc 1500rpm 0.60hp (Cylindrical Head)	2
▲ 1031775	(10000000- 20000000 )	Brush Kit, Carbon, Motor, Replmt [T5] (Cylindrical Head)	1
1218573	(10000000- 20000000 )	Skirt, Side, Scrb, Cyl [T500]	4
▽ 9015765	(10000000- 20000000 )	Belt Kit, Motor, Ci (Cylindrical Head)	1
▲ 1213132	(10000000- 20000000 )	Tool, Installation, Belt (Cylindrical Head)	1
▽ 1219913	(10000000- 20000000 )	Motor, Ele, 24vdc, 2200rpm, 0.75hp 28.0a (Orbital Head)	1
▲ 1059370	(10000000- 20000000 )	Brush, Motor, Replmt [Bag Of 4] (Orbital Head)	1
1014918	(10000000- 20000000 )	Wheel, 03.0d 0.88w 0.31b, W/ Bshg, Rbr (Orbital Head)	2

# RECOMMENDED MAINTENANCE ITEMS

## GENERAL RECOMMENDED MAINTENANCE ITEMS

	Part No.	Serial Number	Description	Qty.
▽	9015731	(10000000- 20000000 )	Blade Kit, 500mm, Linatex (Standard)	1
▲	1203953	(10000000- 20000000 )	Blade, Sqge, Rear, 836l, Linatex[500mm] (Standard)	1
▲	1203954	(10000000- 20000000 )	Blade, Sqge, Front, 788l, Linatex[500mm] (Standard)	1
▽	9015732	(10000000- 20000000 )	Blade Kit, 500mm, Urethane (Option)	1
▲	1215609	(10000000- 20000000 )	Blade, Sqge, Rear, 836l, Urethane[500mm] (Option)	1
▲	1215611	(10000000- 20000000 )	Blade, Sqge, Front, 788l, Urethane[500mm] (Option)	1
▽	9015730	(10000000- 20000000 )	Blade Kit, 500mm, Gum (Option)	1
▲	1215610	(10000000- 20000000 )	Blade, Sqge, Rear, 836l, Gum[500mm] (Option)	1
▲	1215612	(10000000- 20000000 )	Blade, Sqge, Front, 788l, Gum[500mm] (Option)	1
▽	9015734	(10000000- 20000000 )	Blade Kit, 650mm, Linatex/Linard (Standard)	1
▲	1221585	(10000000- 20000000 )	Blade, Sqge, Rear, 1166l, Linatex[650mm] (Standard)	1
▲	1232680	(10000000- 20000000 )	Blade, Sqge, Front, 1072l Linard[650mm] (Standard)	1
▽	9015735	(10000000- 20000000 )	Blade Kit, 650mm, Urethane (Option)	1
▲	1228909	(10000000- 20000000 )	Blade, Sqge, Rear, 1136l,Urethane[650mm] (Option)	1
▲	1228915	(10000000- 20000000 )	Blade, Sqge, Front,1072l,Urethane[650mm] (Option)	1
▽	9015733	(10000000- 20000000 )	Blade Kit, 650mm, Gum (Option)	1
▲	1228910	(10000000- 20000000 )	Blade, Sqge, Rear, 1136l, Gum[650mm] (Option)	1
▲	1228919	(10000000- 20000000 )	Blade, Sqge, Front, 1072l Gum[650mm] (Option)	1
▽	9015737	(10000000- 20000000 )	Blade Kit, 700mm, Linatex/Linard (Standard)	1
▲	1221572	(10000000- 20000000 )	Blade, Sqge, Rear, 1204l, Linatex[700mm] (Standard)	1
▲	1232679	(10000000- 20000000 )	Blade, Sqge, Front, 1148l Linard[700mm] (Standard)	1
▽	9015738	(10000000- 20000000 )	Blade Kit, 700mm, Urethane (Option)	1
▲	1228904	(10000000- 20000000 )	Blade, Sqge, Rear, 1204l,Urethane[700mm] (Option)	1
▲	1228906	(10000000- 20000000 )	Blade, Sqge, Front,1148l Urethane[700mm] (Option)	1
▽	9015736	(10000000- 20000000 )	Blade Kit, 700mm, Gum (Option)	1
▲	1228905	(10000000- 20000000 )	Blade, Sqge, Rear, 1204l, Gum[700mm] (Option)	1
▲	1228907	(10000000- 20000000 )	Blade, Sqge, Front, 1148l Gum[700mm] (Option)	1
▽	9015740	(10000000- 20000000 )	Blade Kit, 800mm, Linatex/Linard (Standard)	1
▲	1221115	(10000000- 20000000 )	Blade, Sqge, Rear, 1306l, Linatex[800mm] (Standard)	1
▲	1232681	(10000000- 20000000 )	Blade, Sqge, Front, 1256l Linard[800mm] (Standard)	1
▽	9015741	(10000000- 20000000 )	Blade Kit, 800mm, Urethane (Option)	1
▲	1228920	(10000000- 20000000 )	Blade, Sqge, Rear, 1306l,Urethane[800mm] (Option)	1
▲	1228922	(10000000- 20000000 )	Blade, Sqge, Front,1256l Urethane[800mm] (Option)	1
▽	9015739	(10000000- 20000000 )	Blade Kit, 800mm, Gum (Option)	1
▲	1228921	(10000000- 20000000 )	Blade, Sqge, Rear, 1306l, Gum[800mm] (Option)	1
▲	1228923	(10000000- 20000000 )	Blade, Sqge, Front, 1256l Gum[800mm] (Option)	1



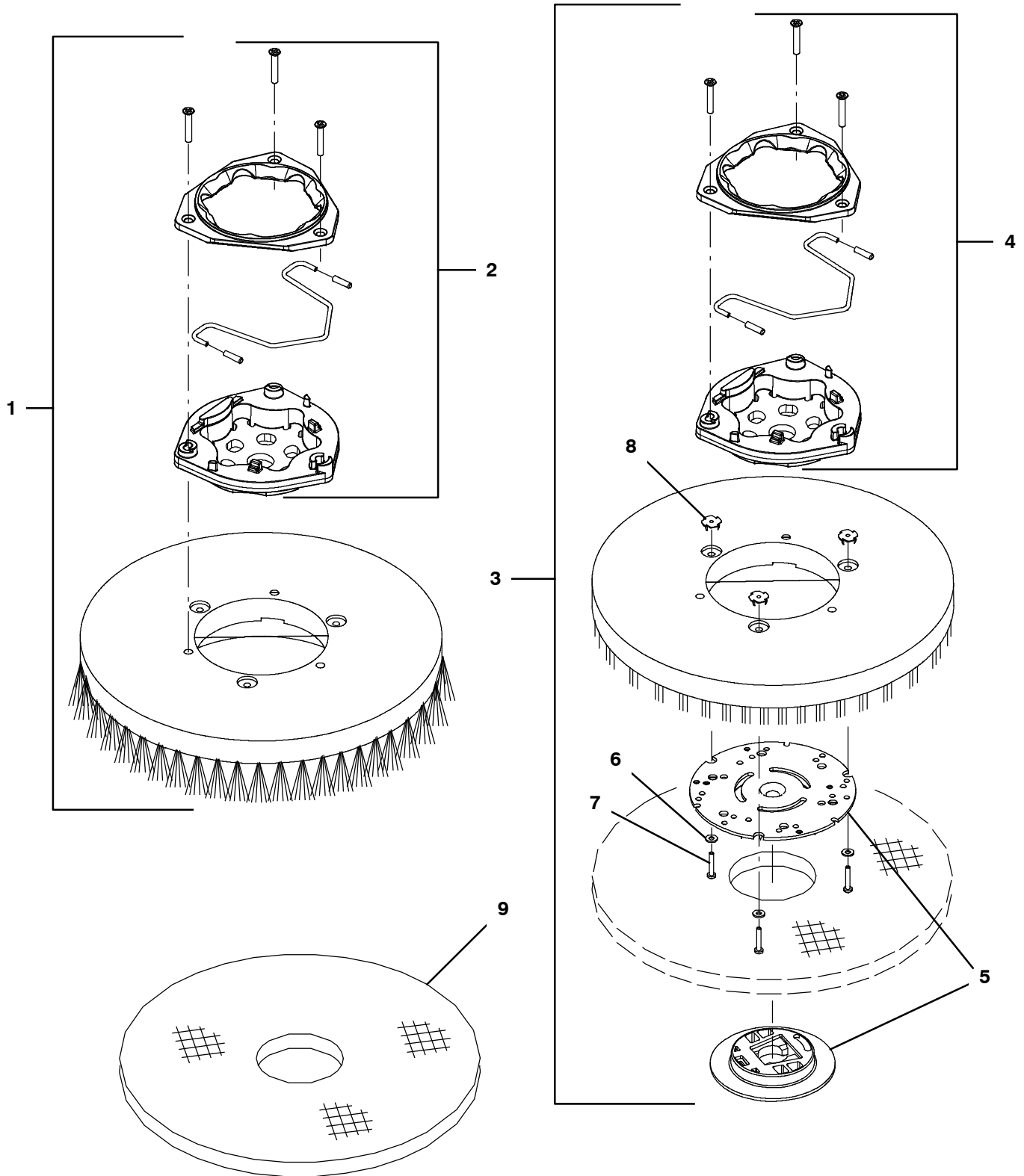
# RECOMMENDED MAINTENANCE ITEMS

## GENERAL RECOMMENDED MAINTENANCE ITEMS

Part No.	Serial Number	Description	Qty.
630052	(10000000- 20000000 )	Float, Shut- Off, (2)Ball, 1.75d	1
9015756	(10000000- 20000000 )	Seal, Cover, Recvy, Ci [T500]	1
1224414	(10000000- 20000000 )	Hose Assy, W/2cuff,1.5d 033l 1.5/1.5[Pu] (Gray)	1
1211220	(10000000- 20000000 )	Hose Assy,W/2cuff,1.5d 022l 1.5/1.5[Pvc] (Black)	1
▽ 1228242	(10000000- 20000000 )	Hose Assy, Drain, 1.5d 024l 2/1.5cap[Pu] (Gray)	1
▲ 1219134	(10000000- 20000000 )	Cap, Drain Assy [Gray]	1
▽ 1228252	(10000000- 20000000 )	Hose Assy, Drain, 1.5d 014l 2/1.5cap Pvc (Black)	1
▲ 1218955	(10000000- 20000000 )	Cap, Drain Assy [Black]	1
9015758	(10000000- 20000000 )	Seal, Tank, Soltn, Ci [T500/T500e]	1
1066431	(10000000- 20000000 )	Seal, Afmkt, Bulb, Dual, 03ft [F/.30gap](Soltn Tank Front)	1
1212422	(10000000- 20000000 )	Caster, Swivel [Wicke 224051]	2
▽ 9004909	(10000000- 20000000 )	Wheel Kit, Solid, Ci [T5 T5e Ss5]	1
▲ 1223583	(10000000- 20000000 )	Wheel, Scrbr, 213mm, W/ Taper	2
▽ 1031723	(10000000- 20000000 )	Motor, Transaxle, 24vdc, Afmkt [T5]	1
▲ 614166	(10000000- 20000000 )	Brush Kit, Carbon, Transaxle, Replmt [4]	1
▽ 1219312	(10000000- 20000000 )	Fan, Vacuum, 5.7d, 024vdc, 2 Stage	1
▲ 372883	(10000000- 20000000 )	Vr, Brush Kit, Motor, Ele	1
100038	(10000000- 20000000 )	Gasket, .50, 02.63id 05.75od, Adh [Epdm]	1
▽ 1211537	(10000000- 20000000 )	Filter, In- Line, Pf06/Pf06 080m 2.6l Epd	1
▲ 1218885	(10000000- 20000000 )	Gasket [Epdm, F/1211537]	1
▲ 1218883	(10000000- 20000000 )	Screen, Fltr, 80 Mesh, Ss [W/ Cage]	1
▲ 613991	(10000000- 20000000 )	Bowl, Clr, Short, F/1005302	1
▽ 9011810	(10000000- 20000000 )	Module Kit, Replmt [Ec- H2o, B 02] (Includes Cartridge)	1
▽ 9014127	(10000000- 20000000 )	Controller Kit, Replmt [Ec- H2o Nc] (Includes Cartridge)	1
▲ 9013646	(10000000- 20000000 )	Cartridge, Ec- H2o Nanoclean Wcm, 270ml	1
▽ 9015727	(10000000- 20000000 )	Hose Kit, Drain, Pu, W/ Valve, Ci[T500e] (Gray)	1
▲ 1051986	(10000000- 20000000 )	Valve, Ball, 2way, 1.0id Pvc, W/Handle	1
▲ 1228335	(10000000- 20000000 )	Hose Assy, W/2cuff,1.5d 022l 2.0/1.5[Pu] (Gray)	1
▲ 1229567	(10000000- 20000000 )	Strap, Hanger	1

REPLACEMENT BRUSHES AND PAD DRIVER DISK

355426



## REPLACEMENT BRUSHES AND PAD DRIVER DISK

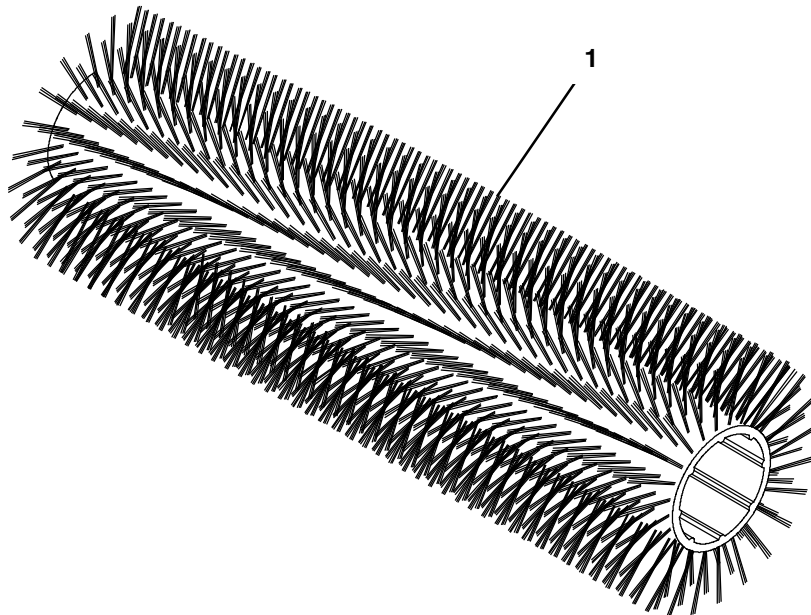
Ref.	Part No.	Serial Number	Description	Qty.
▽	1	1223989	(10000000- 20000000 ) Brush Assy, Disk, Scb, 13.0d, Pyp	2
▽	1	1223991	(10000000- 20000000 ) Brush Assy, Disk, Scb, 13.0d, Nyl	2
▽	1	1223990	(10000000- 20000000 ) Brush Assy, Disk, Scb, 13.0d, Sab	2
▽	1	1220218	(10000000- 20000000 ) Brush Assy, Disk, Scb, 14.0d, Pyp	2
▽	1	1221541	(10000000- 20000000 ) Brush Assy, Disk, Scb, 14.0d, Nyl	2
▽	1	1220217	(10000000- 20000000 ) Brush Assy, Disk, Scb, 14.0d, Sab	2
▽	1	1220216	(10000000- 20000000 ) Brush Assy, Disk, Scb, 16.0d, Pyp	2
▽	1	1220215	(10000000- 20000000 ) Brush Assy, Disk, Scb, 16.0d, Nyl	2
▽	1	1220214	(10000000- 20000000 ) Brush Assy, Disk, Scb, 16.0d, Sab	2
▲	2	9014667	(10000000- 20000000 ) Brush Kit, Hub Assy, Drive, Ci [Comm]	1
▽	3	1220220	(10000000- 20000000 ) Driver Assy, Pad, 13.0d, Brush	2
▽	3	1220221	(10000000- 20000000 ) Driver Assy, Pad, 14.0d, Brush	2
▽	3	1220222	(10000000- 20000000 ) Driver Assy, Pad, 16.0d, Brush	2
▲	4	9014667	(10000000- 20000000 ) Brush Kit, Hub Assy, Drive, Ci [Comm]	1
▲	5	370095	(10000000- 20000000 ) Device, Centering, Clip On, TI [Gf Pp]	1
▲	6	41579	(10000000- 20000000 ) Washer, Flat, 08, Ss	3
▲	7	04403	(10000000- 20000000 ) Screw, Pan, Phl, M4 X 0.70 X 25, Ni, Ss	3
▲	8	10908	(10000000- 20000000 ) Nut, T, M4 X 0.70	3
	9	89046	(10000000- 20000000 ) Pad, Stripping, 13.0d, Brown[1pick=1pad]	2
	9	89047	(10000000- 20000000 ) Pad, Scb, 13.0d, Blu	2
	9	89048	(10000000- 20000000 ) Pad, Buff, 13.0d, Red [1pick=1pad]	2
	9	89049	(10000000- 20000000 ) Pad, Polish, 13.0d, White [1pick=1pad]	2
	9	1051024	(10000000- 20000000 ) Pad, Surf Prep, 13.0d [Mar, 1pick=1pad]	2
	9	222327	(10000000- 20000000 ) Pad, Stripping, 14.0d, Brown[1pick=1pad]	2
	9	222326	(10000000- 20000000 ) Pad, Scb, 14.0d, Blu [1pick=1pad]	2
	9	222325	(10000000- 20000000 ) Pad, Buff, 14.0d, Red	2
	9	222324	(10000000- 20000000 ) Pad, Polish, 14.0d, White [1pick=1pad]	2
	9	370091	(10000000- 20000000 ) Pad, Stripping, 14.0d, Blk [Hi Prod]	2
	9	1051026	(10000000- 20000000 ) Pad, Surf Prep, 14.0d [Mar, 1pick=1pad]	2
	9	63248- 1	(10000000- 20000000 ) Pad, Stripping, 16.0d, Brown[1pick=1pad]	2
	9	63248- 2	(10000000- 20000000 ) Pad, Scb, 16.0d, Blu [1pick=1pad]	2
	9	63248- 3	(10000000- 20000000 ) Pad, Buff, 16.0d, Red [1pick=1pad]	2
	9	63248- 4	(10000000- 20000000 ) Pad, Polish, 16.0d, White [1pick=1pad]	2
	9	370092	(10000000- 20000000 ) Pad, Stripping, 16.0d, Blk [Hi Prod]	2
	9	1051027	(10000000- 20000000 ) Pad, Surf Prep, 16.0d [Mar, 1pick=1pad]	2

▽ ASSEMBLY

▲ INCLUDED IN ASSEMBLY

## REPLACEMENT BRUSHES CYLINDRICAL

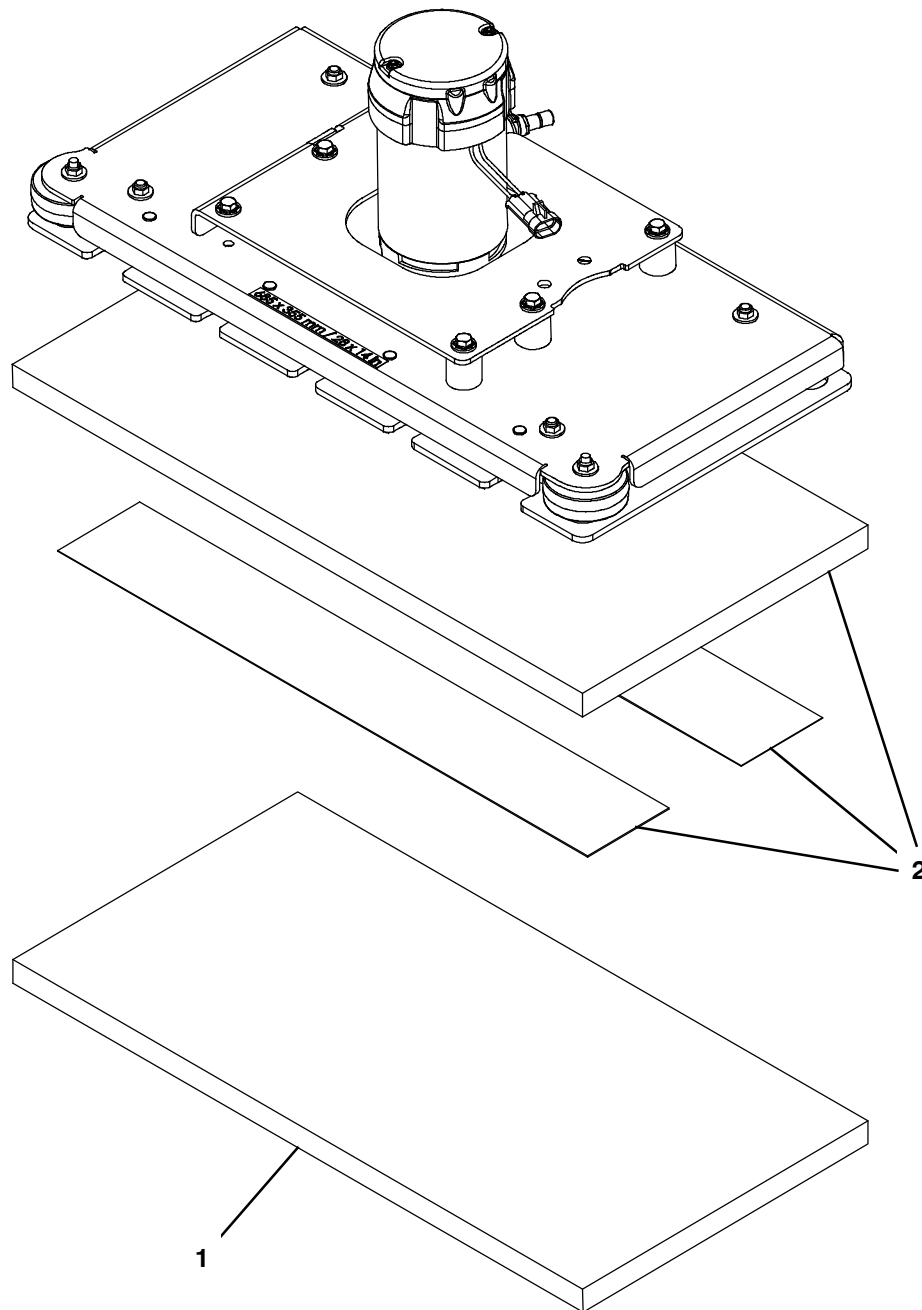
355427



Ref.	Part No.	Serial Number	Description	Qty.
1	222304	(10000000-20000000 )	Brush, Scb, 28l, 18sr, Pyp, Spl	2
1	222305	(10000000-20000000 )	Brush, Scb, 28l, 18sr, Nyl, Spl	2
1	222306	(10000000-20000000 )	Brush, Scb, 28l, 18sr, Abr, Spl	2

REPLACEMENT PADS ORBITAL

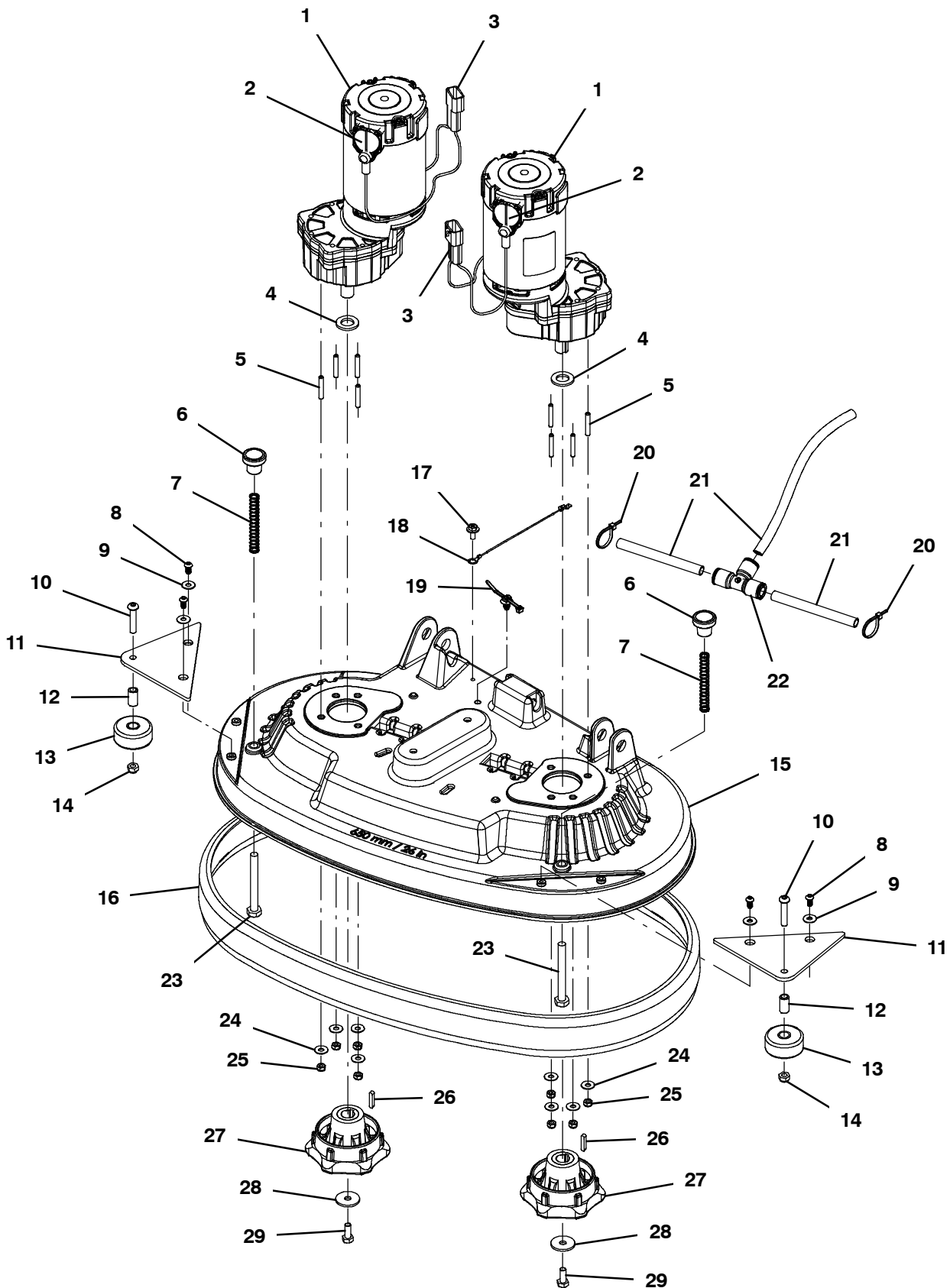
355478



Ref.	Part No.	Serial Number	Description	Qty.
1	1223247	(10000000- 20000000 )	Pad, Scb, 28 X 14, Blu [1pick=1pc]	1
1	1218157	(10000000- 20000000 )	Pad, Buff, 28 X 14, Red [1pick=1pc]	1
1	1223246	(10000000- 20000000 )	Pad, Polish, 28 X 14, White [1pick=1pc]	1
1	1223248	(10000000- 20000000 )	Pad, Surf Prep, 28 X 14, Mar [1pick=1pc]	1
1	1223250	(10000000- 20000000 )	Pad, Scb, 28 X 14, Green [1pick=1ctn]	1
1	1075563	(10000000- 20000000 )	Pad, Stripping, 28 x 14, Blk [1pick=1ctn]	1
2	1221839	(10000000- 20000000 )	Pad, Backer, 28 X 14 (Includes Velcro Fasteners)	1

SCRUB HEAD GROUP, DISK 650MM / 26IN

355421



## SCRUB HEAD GROUP, DISK 650MM / 26IN

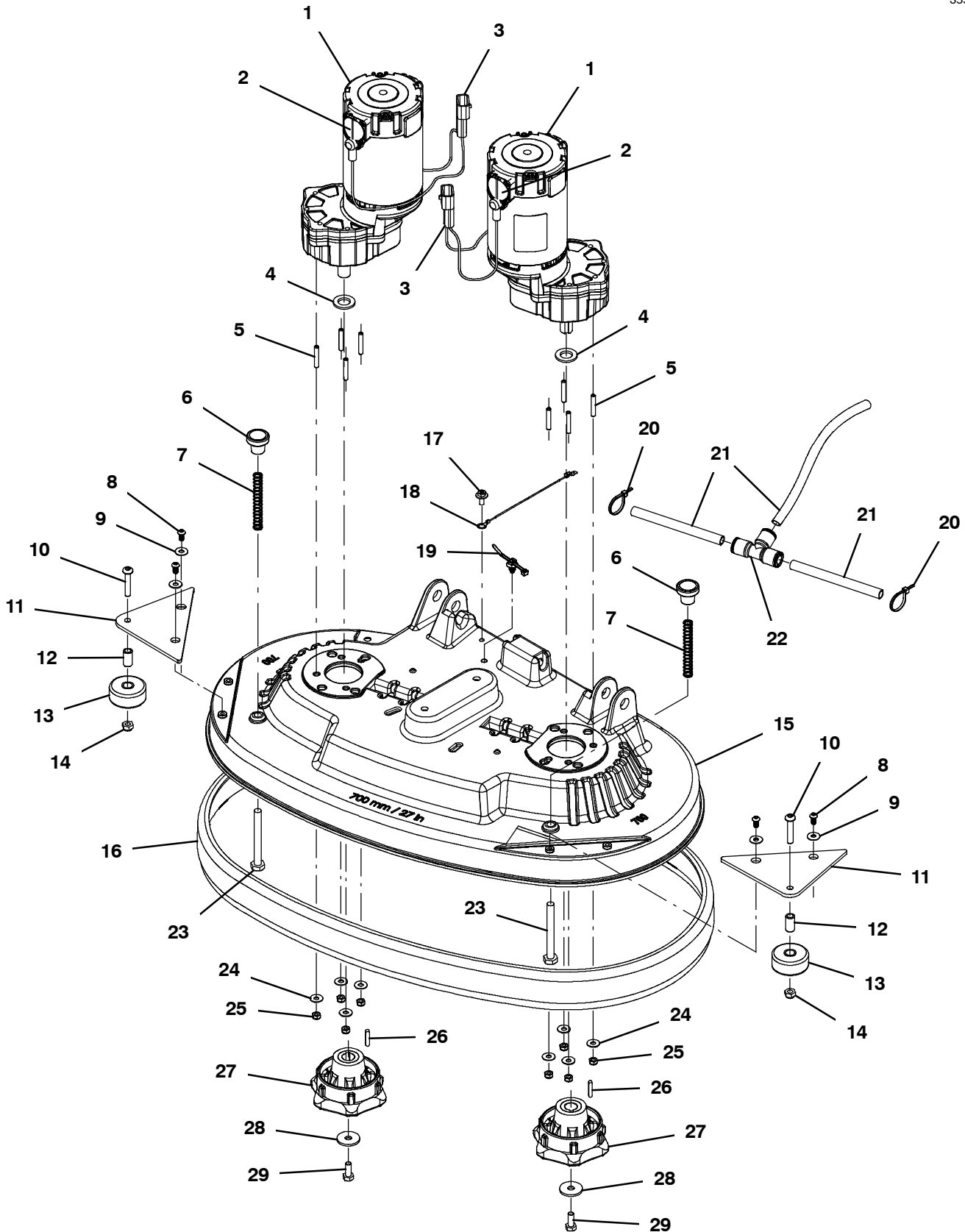
Ref.	Part No.	Serial Number	Description	Qty.
▽	1	1023067	(10000000-20000000 ) Motor, Ele, 24vdc 0220rpm 0.75hp Gear	2
▲	2	1031775	(10000000-20000000 ) Brush Kit, Carbon, Motor, Replmt [T5]	1
▲	3	1031681	(10000000-20000000 ) Harness, Connector, Brush- Motor [T5] Us	1
	4	1022549	(10000000-20000000 ) Spacer, Shaft, 17.15b 30.0d 3.0l, Ss	2
	5	1025853	(10000000-20000000 ) Screw, Set, M6 X 1.00 X 35, NI, Ss	8
	6	1222988	(10000000-20000000 ) Knob, Rnd, 31.0d 27.0l M10, Plstc	2
	7	626081	(10000000-20000000 ) Spring, Cmpr, 0.48od .04wir 03.5l	2
	8	1227865	(10000000-20000000 ) Screw, Trs, M6 X 1.0 X 12, Phl, Ss, NI	4
	9	01684	(10000000-20000000 ) Washer, Flat, 0.27b 0.69d .05, Ss	4
	10	397826	(10000000-20000000 ) Screw, Btn, M8 X 1.25 X 40, Ss	2
	11	1227709	(10000000-20000000 ) Bracket, Roller, Wall	2
	12	222496	(10000000-20000000 ) Sleeve, P/M, 0.32b 0.50d 0.9l [430ss]	2
	13	222403	(10000000-20000000 ) Wheel, 02.0d 0.88w 0.50b	2
	14	08713	(10000000-20000000 ) Nut, Hex, Lock, M8 X 1.25, NI, Ss	2
	15	1222365	(10000000-20000000 ) Housing, Disc, Dual, 65cm [Machined]	1
	16	1221522	(10000000-20000000 ) Bumper, Head, 65cm, Skirt, Im [T500]	1
	17	1034731	(10000000-20000000 ) Screw, Hex, M6 X 1.00 X 16, Sems, Ss	1
	18	1074344	(10000000-20000000 ) Harness, Ele [Ring With .250m Tail]	1
	19	1210807	(10000000-20000000 ) Wire, Tie [W/.25" Fir Tree Clip]	1
	20	130773	(10000000-20000000 ) Tie, Cable, Nyl, 11.0l, .14w, 3.0 Max. D	2
	21	9014145	(10000000-20000000 ) Hose, Afmkt, Pe, .375id .50od, 05ft	1
	22	1212858	(10000000-20000000 ) Fitting, Plstc, Tee, Qf08/Qf08/Qf08	1
	23	09746	(10000000-20000000 ) Screw, Hex, M10 X 1.50 X 90, Ss	2
	24	01684	(10000000-20000000 ) Washer, Flat, 0.27b 0.69d .05, Ss	8
	25	08712	(10000000-20000000 ) Nut, Hex, Lock, M6 X 1.00, NI, Ss	8
	26	1014328	(10000000-20000000 ) Key, Sq, 05mm X 05mm, 25mml	2
	27	1071637	(10000000-20000000 ) Hub, Drive, Brush, Disk, 17mmb	2
	28	1017218	(10000000-20000000 ) Washer, Flat, 0.32b 1.00d .12, Ss	2
	29	12273	(10000000-20000000 ) Screw, Hex, M8 X 1.25 X 20, NI, Ss	2

▽ ASSEMBLY

▲ INCLUDED IN ASSEMBLY

SCRUB HEAD GROUP, DISK 700MM / 28IN

355422





## SCRUB HEAD GROUP, DISK 700MM / 28IN

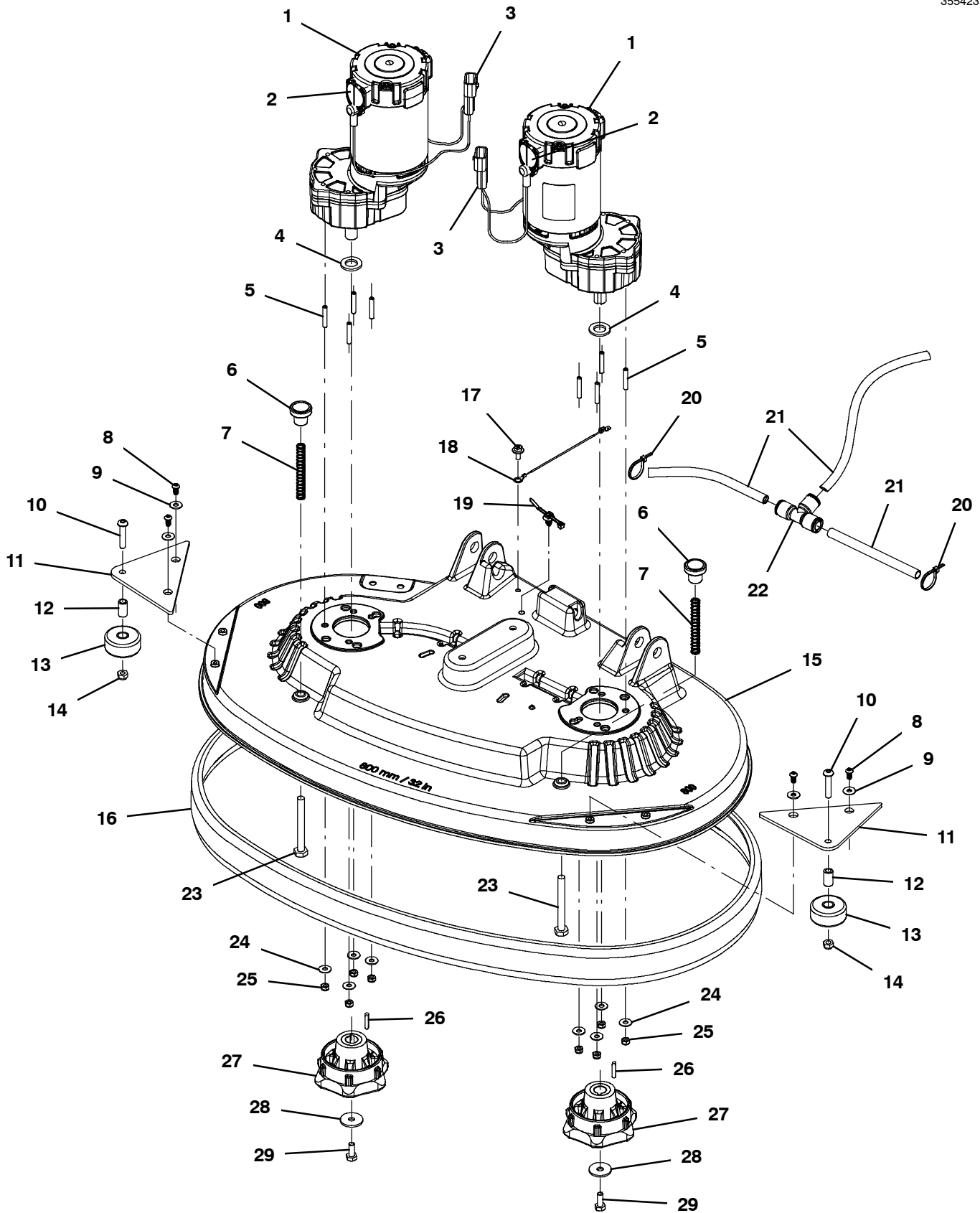
	Ref.	Part No.	Serial Number	Description	Qty.
▽	1	1023067	(10000000-20000000)	Motor, Ele, 24vdc 0220rpm 0.75hp Gear	2
▲	2	1031775	(10000000-20000000)	Brush Kit, Carbon, Motor, Replmt [T5]	1
▲	3	1031681	(10000000-20000000)	Harness, Connector, Brush- Motor [T5] Us	1
	4	1022549	(10000000-20000000)	Spacer, Shaft, 17.15b 30.0d 3.0l, Ss	2
	5	1025853	(10000000-20000000)	Screw, Set, M6 X 1.00 X 35, NI, Ss	8
	6	1222988	(10000000-20000000)	Knob, Rnd, 31.0d 27.0l M10, Plstc	2
	7	626081	(10000000-20000000)	Spring, Cmpr, 0.48od .04wir 03.5l	2
	8	1227865	(10000000-20000000)	Screw, Trs, M6 X 1.0 X 12, Phl, Ss, NI	4
	9	01684	(10000000-20000000)	Washer, Flat, 0.27b 0.69d .05, Ss	4
	10	397826	(10000000-20000000)	Screw, Btn, M8 X 1.25 X 40, Ss	2
	11	1227709	(10000000-20000000)	Bracket, Roller, Wall	2
	12	222496	(10000000-20000000)	Sleeve, P/M, 0.32b 0.50d 0.9l [430ss]	2
	13	222403	(10000000-20000000)	Wheel, 02.0d 0.88w 0.50b	2
	14	08713	(10000000-20000000)	Nut, Hex, Lock, M8 X 1.25, NI, Ss	2
	15	1222364	(10000000-20000000)	Housing, Disc, Dual, 70cm [Machined]	1
	16	1221520	(10000000-20000000)	Bumper, Head, 70cm, Skirt, Im [T500]	1
	17	1034731	(10000000-20000000)	Screw, Hex, M6 X 1.00 X 16, Sems, Ss	1
	18	1074344	(10000000-20000000)	Harness, Ele [Ring With .250m Tail]	1
	19	1210807	(10000000-20000000)	Wire, Tie [W/.25" Fir Tree Clip]	1
	20	130773	(10000000-20000000)	Tie, Cable, Nyl, 11.0l, .14w, 3.0 Max. D	2
	21	9014145	(10000000-20000000)	Hose, Afmkt, Pe, .375id .50od, 05ft	1
	22	1212858	(10000000-20000000)	Fitting, Plstc, Tee, Qf08/Qf08/Qf08	1
	23	09746	(10000000-20000000)	Screw, Hex, M10 X 1.50 X 90, Ss	2
	24	01684	(10000000-20000000)	Washer, Flat, 0.27b 0.69d .05, Ss	8
	25	08712	(10000000-20000000)	Nut, Hex, Lock, M6 X 1.00, NI, Ss	8
	26	1014328	(10000000-20000000)	Key, Sq, 05mm X 05mm, 25mml	2
	27	1071637	(10000000-20000000)	Hub, Drive, Brush, Disk, 17mmb	2
	28	1017218	(10000000-20000000)	Washer, Flat, 0.32b 1.00d .12, Ss	2
	29	12273	(10000000-20000000)	Screw, Hex, M8 X 1.25 X 20, NI, Ss	2

▽ ASSEMBLY

▲ INCLUDED IN ASSEMBLY

SCRUB HEAD GROUP, DISK 800MM / 32IN

355423



SCRUB HEAD GROUP, DISK 800MM / 32IN

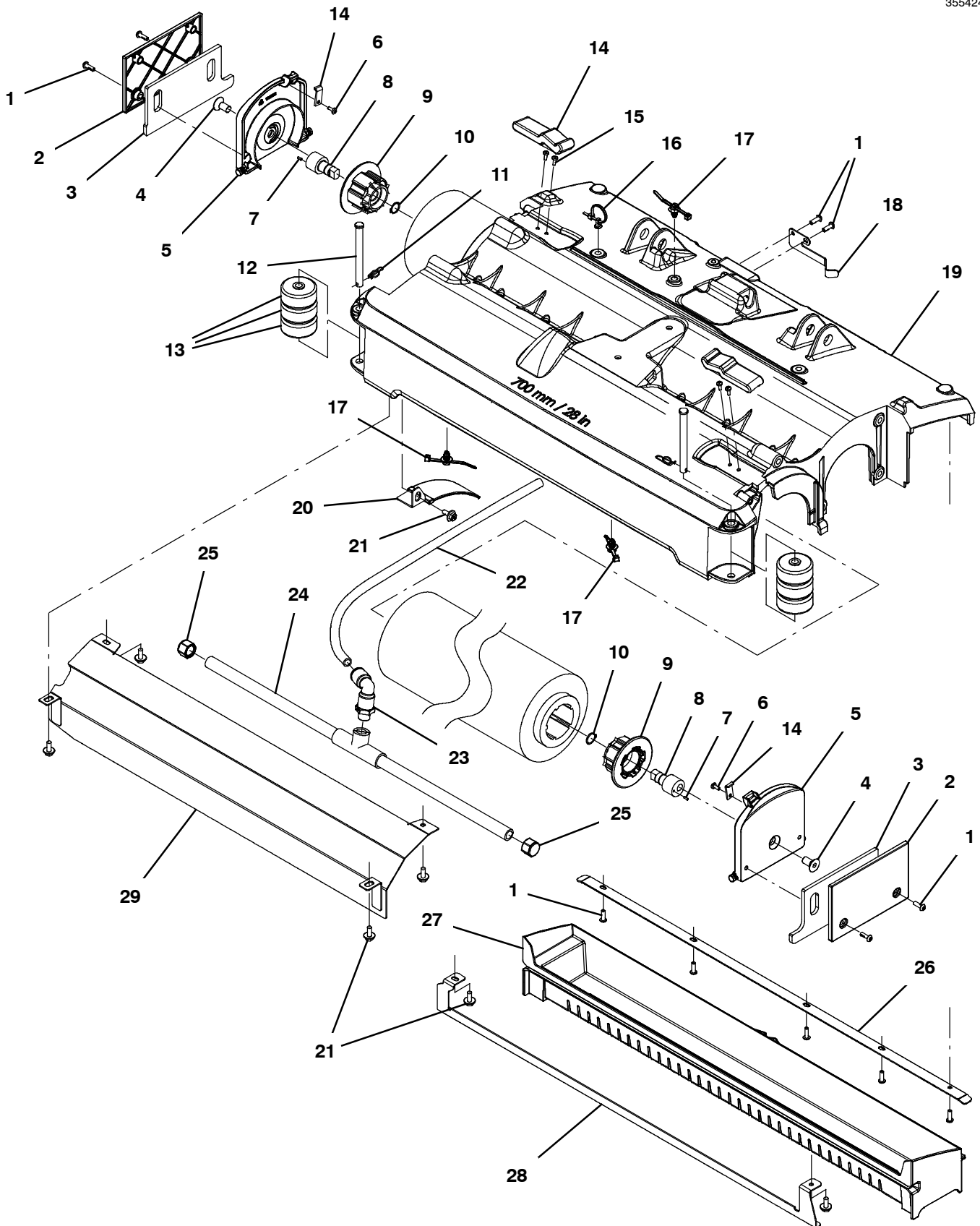
Ref.	Part No.	Serial Number	Description	Qty.
▽	1	1023067	(10000000- 20000000 ) Motor, Ele, 24vdc 0220rpm 0.75hp Gear	2
▲	2	1031775	(10000000- 20000000 ) Brush Kit, Carbon, Motor, Replmt [T5]	1
▲	3	1031681	(10000000- 20000000 ) Harness, Connector, Brush- Motor [T5] Us	1
	4	1022549	(10000000- 20000000 ) Spacer, Shaft, 17.15b 30.0d 3.0l, Ss	2
	5	1025853	(10000000- 20000000 ) Screw, Set, M6 X 1.00 X 35, NI, Ss	8
	6	1222988	(10000000- 20000000 ) Knob, Rnd, 31.0d 27.0l M10, Plstc	2
	7	626081	(10000000- 20000000 ) Spring, Cmpr, 0.48od .04wir 03.5l	2
	8	1227865	(10000000- 20000000 ) Screw, Trs, M6 X 1.0 X 12, Phl, Ss, NI	4
	9	01684	(10000000- 20000000 ) Washer, Flat, 0.27b 0.69d .05, Ss	4
	10	397826	(10000000- 20000000 ) Screw, Btn, M8 X 1.25 X 40, Ss	2
	11	1227709	(10000000- 20000000 ) Bracket, Roller, Wall	2
	12	222496	(10000000- 20000000 ) Sleeve, P/M, 0.32b 0.50d 0.9l [430ss]	2
	13	222403	(10000000- 20000000 ) Wheel, 02.0d 0.88w 0.50b	2
	14	08713	(10000000- 20000000 ) Nut, Hex, Lock, M8 X 1.25, NI, Ss	2
	15	1222293	(10000000- 20000000 ) Housing, Disc, Dual, 80cm [Machined]	1
	16	1221512	(10000000- 20000000 ) Bumper, Head, 80cm, Skirt, Im [T500]	1
	17	1034731	(10000000- 20000000 ) Screw, Hex, M6 X 1.00 X 16, Sems, Ss	1
	18	1074344	(10000000- 20000000 ) Harness, Ele [Ring With .250m Tail]	1
	19	1210807	(10000000- 20000000 ) Wire, Tie [W/.25" Fir Tree Clip]	1
	20	130773	(10000000- 20000000 ) Tie, Cable, Nyl, 11.0l, .14w, 3.0 Max. D	2
	21	9014145	(10000000- 20000000 ) Hose, Afmkt, Pe, .375id .50od, 05ft	1
	22	1212858	(10000000- 20000000 ) Fitting, Plstc, Tee, Qf08/Qf08/Qf08	1
	23	09746	(10000000- 20000000 ) Screw, Hex, M10 X 1.50 X 90, Ss	2
	24	01684	(10000000- 20000000 ) Washer, Flat, 0.27b 0.69d .05, Ss	8
	25	08712	(10000000- 20000000 ) Nut, Hex, Lock, M6 X 1.00, NI, Ss	8
	26	1014328	(10000000- 20000000 ) Key, Sq, 05mm X 05mm, 25mml	2
	27	1071637	(10000000- 20000000 ) Hub, Drive, Brush, Disk, 17mmb	2
	28	1017218	(10000000- 20000000 ) Washer, Flat, 0.32b 1.00d .12, Ss	2
	29	12273	(10000000- 20000000 ) Screw, Hex, M8 X 1.25 X 20, NI, Ss	2

▽ ASSEMBLY

▲ INCLUDED IN ASSEMBLY

SCRUB HEAD GROUP, CYLINDRICAL 700MM / 28IN

355424

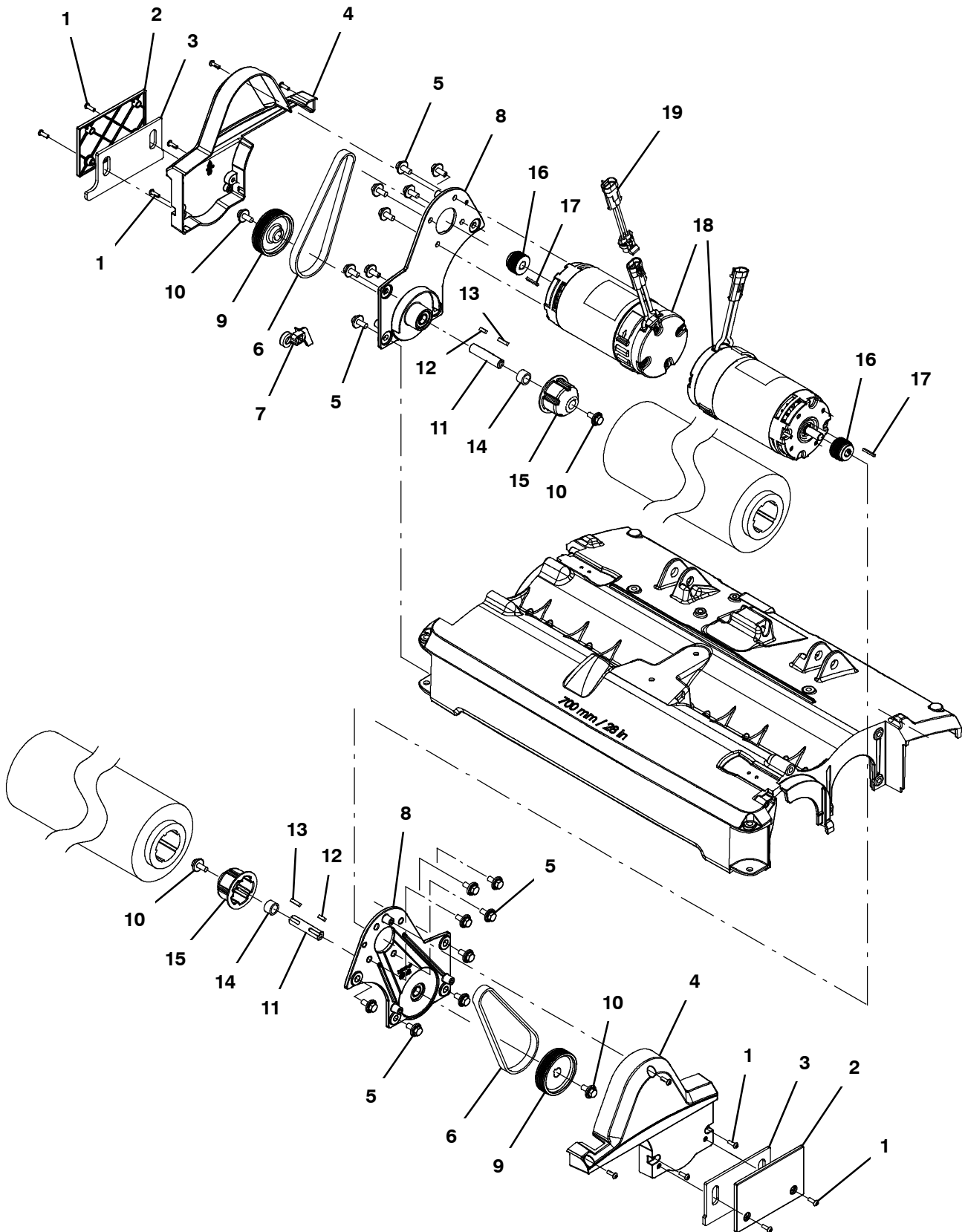


## SCRUB HEAD GROUP, CYLINDRICAL 700MM / 28IN

Ref.	Part No.	Serial Number	Description	Qty.
1	1205799	(10000000-20000000)	Screw, Btn, M5 X 0.8 X 16, 8.8, NI, Torx	2
2	1218032	(10000000-20000000)	Cover, Skirt, 2cyl [T500]	2
3	1218573	(10000000-20000000)	Skirt, Side, Scrb, Cyl [T500]	2
4	390996	(10000000-20000000)	Screw, Flt, Soc, M10 X 1.50 X 20, 10.9, NI	2
5	1218692	(10000000-20000000)	Door, Brush, 2cyl [Machined, T500]	1
6	49697	(10000000-20000000)	Screw, Pan, Phl, M4 X 0.70 X 10, Ss	6
7	222184	(10000000-20000000)	Pin, Roll, .094d X 0.25l, .094/.097	2
8	222177	(10000000-20000000)	Shaft, Plug, Idler	2
9	1057629	(10000000-20000000)	Plug, Idler, Brush [Sgl Brg]	2
10	01516	(10000000-20000000)	Ring, Retaining, Ext, 0.59d, Basic	2
11	1216647	(10000000-20000000)	Pin, Cotter, Hair, 0.38d .054 Wir	2
12	49914	(10000000-20000000)	Pin, Clevis, 0.37d X 4.00l	2
13	630477	(10000000-20000000)	Wheel, Pyu, 02.0d 0.38w, Gray	6
14	1207285	(10000000-20000000)	Latch, Draw, Rbr, W/ Keeper, Yellow	2
15	49697	(10000000-20000000)	Screw, Pan, Phl, M4 X 0.70 X 10, Ss	6
16	1221161	(10000000-20000000)	Tie, Cable, Nyl, Push Mount, 76mm Max D	1
17	1210807	(10000000-20000000)	Wire, Tie [W/.25" Fir Tree Clip]	3
18	1218242	(10000000-20000000)	Bracket, Spring, Tray, Debris [T500]	1
19	1217942	(10000000-20000000)	Housing, Cyl, 70cm [Machined]	1
20	1029358	(10000000-20000000)	Deflector, Water, Cyl Head	1
21	1034731	(10000000-20000000)	Screw, Hex, M6 X 1.00 X 16, Sems, Ss	7
22	9014145	(10000000-20000000)	Hose, Afmkt, Pe, .375id .50od, 05ft	1
23	1212987	(10000000-20000000)	Fitting, Plstc, E90, Qf08/Pm06, Swivel	1
24	1046049	(10000000-20000000)	Tube Assy, Bar, Spray, 70cm [T5, 5680]	1
25	1025580	(10000000-20000000)	Fitting, Pipe, Cap, P06, Nyl	2
26	1218153	(10000000-20000000)	Bracket, Tray, Debris [T500]	1
27	1218144	(10000000-20000000)	Tray, Debris, 700mm [lm] [Rhine]	1
28	1218577	(10000000-20000000)	Bracket, Slide, Tray, Debris	1
29	1219969	(10000000-20000000)	Panel Wldt, Wrap, Brush [T500]	1

SCRUB HEAD GROUP, CYLINDRICAL 700MM / 28IN - CONT'D

355430



## SCRUB HEAD GROUP, CYLINDRICAL 700MM / 28IN - CONT'D

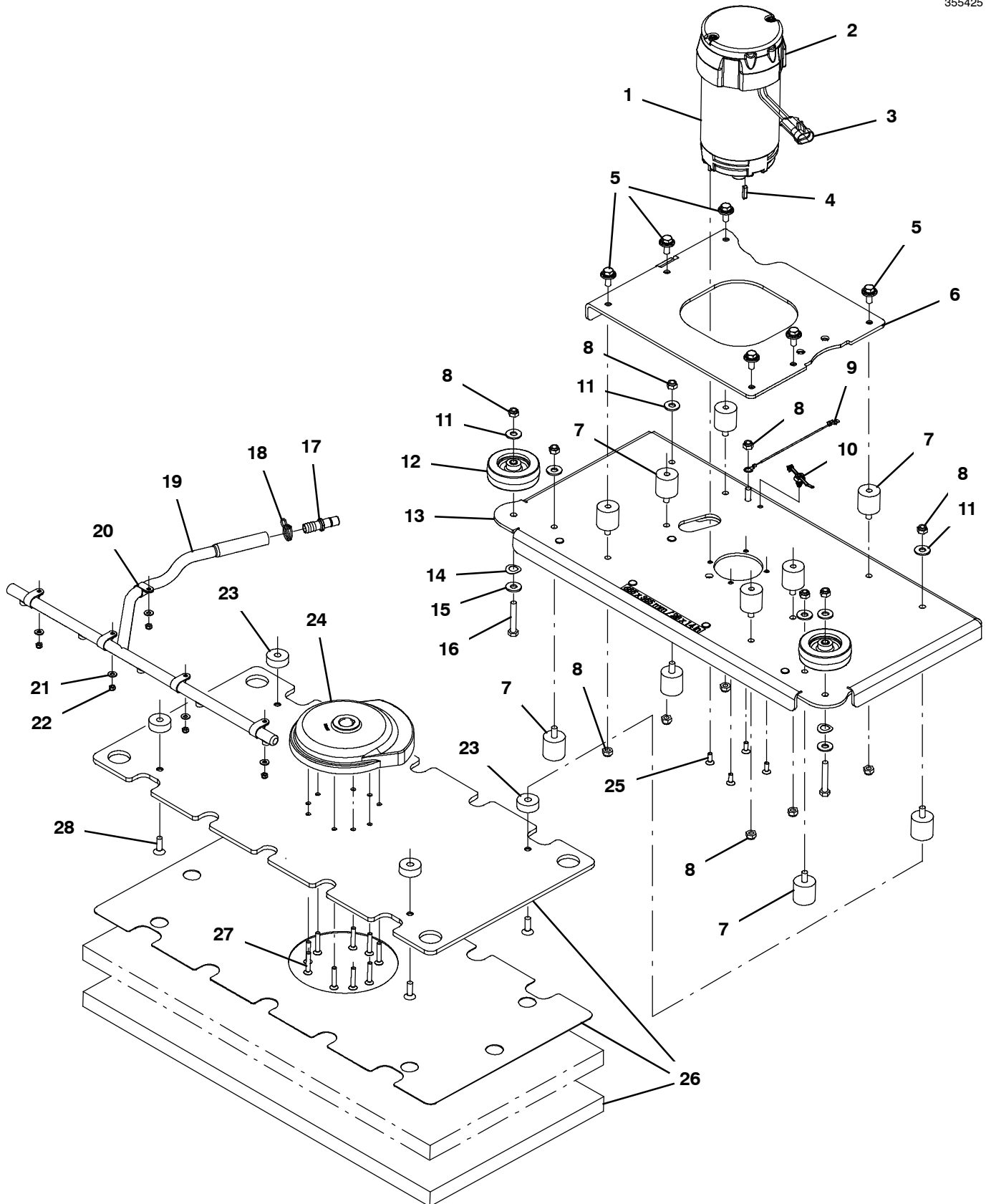
Ref.	Part No.	Serial Number	Description	Qty.
1	1205799	(10000000- 20000000 )	Screw, Btn, M5 X 0.8 X 16, 8.8, NI, Torx	12
2	1218032	(10000000- 20000000 )	Cover, Skirt, 2cyl [T500]	2
3	1218573	(10000000- 20000000 )	Skirt, Side, Scrub, Cyl [T500]	2
4	1218012	(10000000- 20000000 )	Cover, Belt, 2 Cyl [T500]	2
5	1020341	(10000000- 20000000 )	Screw, Hex, M8 X 1.25 X 20, Ss, Sems	16
▽	6	9015765	(10000000- 20000000 ) Belt Replacement Kit (Cylindrical)	1
▲	7	1213132	(10000000- 20000000 ) Tool, Installation, Belt	1
▽	8	9018012	(10000000- 20000000 ) Bracket Assy, Motor, Ci (Also Includes Bearings Not Available Separately)	2
▲	9	1035173	(10000000- 20000000 ) Sheave, 06grv, 2.96pd 0.59b, Alm [Pj]	1
▲	10	1020341	(10000000- 20000000 ) Screw, Hex, M8 X 1.25 X 20, Ss, Sems	2
▲	11	1021050	(10000000- 20000000 ) Shaft, Drive, 15.0d X 65.5l [T5, 1610]	1
▲	12	00961	(10000000- 20000000 ) Key, Sq, 0.19 X 0.19, 0.50l	1
▲	13	00911	(10000000- 20000000 ) Key, Sq, 0.19 X 0.19, 0.75l	1
▲	14	1002077	(10000000- 20000000 ) Tube, 0.59id 0.81od 00.5l	1
▲	15	378805	(10000000- 20000000 ) Plug, Drive, Brush, Mach	1
	16	1033528	(10000000- 20000000 ) Sheave, 06grv, 1.33pd 0.50b, Alm [Pj]	2
	17	00954	(10000000- 20000000 ) Key, Sq, 0.12 X 0.12, 1.00l	2
▽	18	1223429	(10000000- 20000000 ) Motor, Ele, 24vdc 1500rpm 0.60hp	2
▲		1031775	(10000000- 20000000 ) Brush Kit, Carbon, Motor, Replmt [T5]	1
	19	1052895	(10000000- 20000000 ) Harness, Adapter, Motor [T7/T5]	1

▽ ASSEMBLY

▲ INCLUDED IN ASSEMBLY

SCRUB HEAD GROUP, ORBITAL 700MM / 28IN

355425





## SCRUB HEAD GROUP, ORBITAL 700MM / 28IN

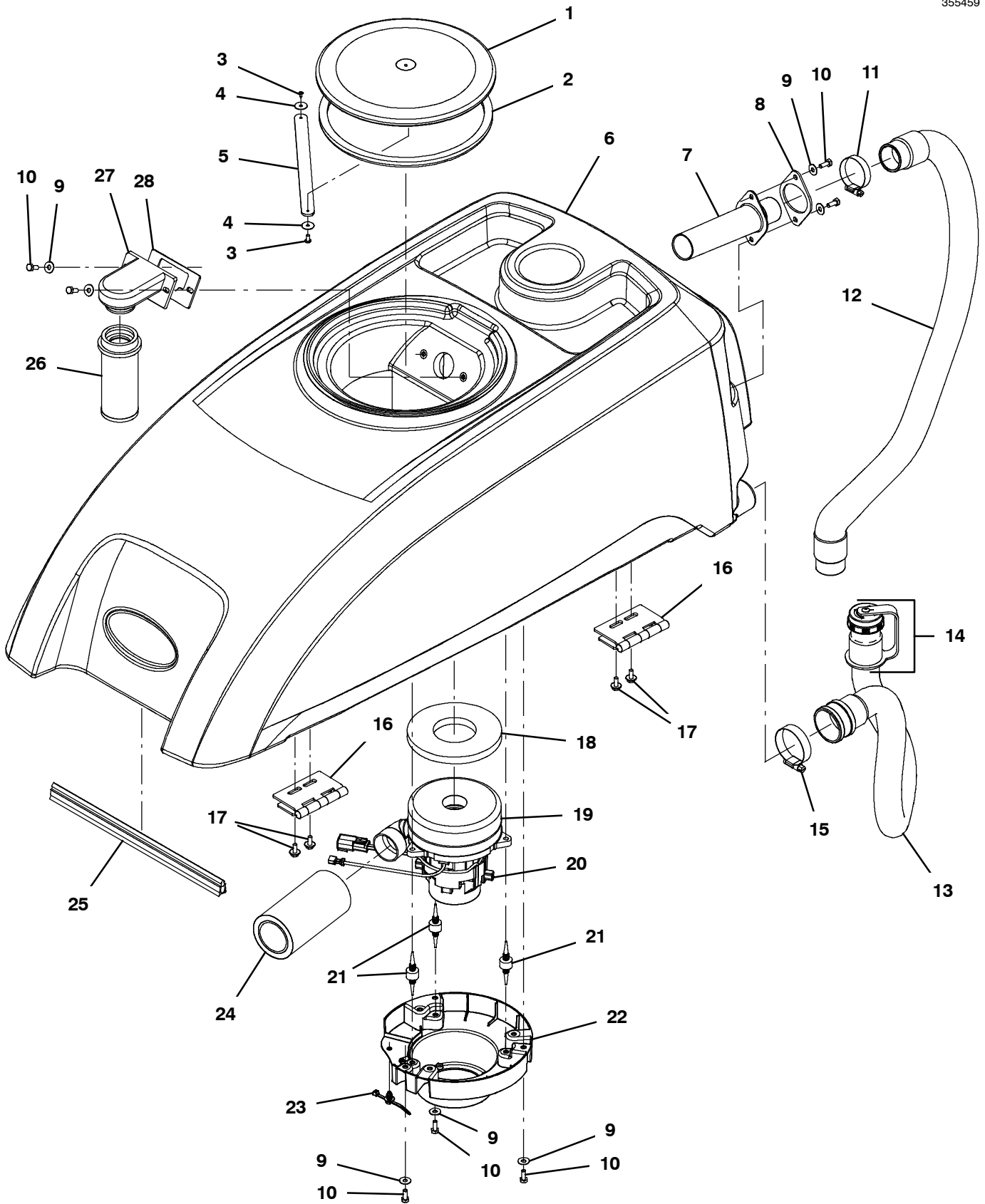
Ref.	Part No.	Serial Number	Description	Qty.
▽	1	1219913	(10000000-20000000 ) Motor, Ele, 24vdc, 2200rpm, 0.75hp 28.0a	1
▲	2	1059370	(10000000-20000000 ) Brush, Motor, Replmt [Bag Of 4)	1
▲	3	1031681	(10000000-20000000 ) Harness, Connector, Brush- Motor [T5] Us	1
	4	1231238	(10000000-20000000 ) Key, Sq, 5mm X 5mm X 22mm	1
	5	1020341	(10000000-20000000 ) Screw, Hex, M8 X 1.25 X 20, Ss, Sems	6
	6	1220910	(10000000-20000000 ) Bracket Wldt, Mtg, Head	1
	7	1212543	(10000000-20000000 ) Isolator, Neoprene, 1.25" X 1.25", M8	13
	8	08713	(10000000-20000000 ) Nut, Hex, Lock, M8 X 1.25, NI, Ss	1
	9	1074344	(10000000-20000000 ) Harness, Ele [Ring With .250m Tail]	1
	10	1210807	(10000000-20000000 ) Wire, Tie [W/.25" Fir Tree Clip]	1
	11	01685	(10000000-20000000 ) Washer, Flat, 0.38b 0.88d .08, Ss	6
	12	1014918	(10000000-20000000 ) Wheel, 03.0d 0.88w 0.31b, W/ Bshg, Rbr	2
	13	1221766	(10000000-20000000 ) Housing Wldt, Brush	1
	14	1210221	(10000000-20000000 ) Washer, Wave, .515b, .875d, .013, Ss	2
	15	01685	(10000000-20000000 ) Washer, Flat, 0.38b 0.88d .08, Ss	2
	16	49694	(10000000-20000000 ) Screw, Hex, M8 X 1.25 X 50, Ss	2
	17	1212807	(10000000-20000000 ) Fitting, Plstc, Str, Qm08/Bm08	1
	18	607776	(10000000-20000000 ) Clamp, Hose, Wir, .73 - .77, Silver	1
	19	1222903	(10000000-20000000 ) Manifold, Bar, Spray [28in]	1
	20	140916	(10000000-20000000 ) Clamp, Cable, Nyl, 0.62d, Nat	5
	21	01683	(10000000-20000000 ) Washer, Flat, 10, Ss	4
	22	09739	(10000000-20000000 ) Nut, Hex, Lock, M5 X 0.80, NI, Ss	4
	23	1221850	(10000000-20000000 ) Spacer, Head	4
	24	9015774	(10000000-20000000 ) Eccentric Drive Kit, Orbital	1
	25	09163	(10000000-20000000 ) Screw, Flt, Soc, M6 X 1.00 X 16, 18-8,Ss	4
	26	9015416	(10000000-20000000 ) Driver Kit, Pad, Ci [T500] (Includes Driver Plate, Driver Face, & Red Buffing Pad)	1
	27	1212710	(10000000-20000000 ) Screw, Flt, Soc, M6 X 1.00 X 35, 10.9,NI	6
	28	74077	(10000000-20000000 ) Screw, Flt, Soc, M8 X 1.25 X 25, Ss	4

▽ ASSEMBLY

▲ INCLUDED IN ASSEMBLY

RECOVERY TANK GROUP

355459



## RECOVERY TANK GROUP

Ref.	Part No.	Serial Number	Description	Qty.
▽	1	1017958	(10000000- 20000000 ) Lid Assy, Tank, Recvy	1
▲	2	1017959	(10000000- 20000000 ) Seal, Bulb, Str, 0.50h .50w 032.0l, Adh	1
	3	3701.6	(10000000- 20000000 ) Screw, Pan, Phl, 06- 32 X 0.38, Shtmtl,Ss	2
	4	1009168	(10000000- 20000000 ) Washer, Flat, 0.17b 0.75d .04, Ss	2
	5	1001005	(10000000- 20000000 ) Strap, Retaining, Cover	1
	6	9015761	(10000000- 20000000 ) Kit, Tank, Recvy, Ci [T500e]	1
	7	1021214	(10000000- 20000000 ) Tube, Hose, Adapter, 1.5d [T5]	1
	8	1024602	(10000000- 20000000 ) Gasket, Neo, .13, 1.97id, 2/3.2bc, Adh	1
	9	01684	(10000000- 20000000 ) Washer, Flat, 0.27b 0.69d .05, Ss	7
	10	11329	(10000000- 20000000 ) Screw, Hex, M6 X 1.00 X 16, NI, Ss	7
	11	11531	(10000000- 20000000 ) Clamp, Hose, Wormdrive, 1.06- 2.00d, .56w	1
	12	1224414	(10000000- 20000000 ) Hose Assy, W/2cuff,1.5d 033l 1.5/1.5[Pu] (Gray)	1
	12	1211220	(10000000- 20000000 ) Hose Assy,W/2cuff,1.5d 022l 1.5/1.5[Pvc] (Black)	1
▽	13	1228242	(10000000- 20000000 ) Hose Assy, Drain, 1.5d 024l 2/1.5cap[Pu] (Gray)	1
▲	14	1219134	(10000000- 20000000 ) Cap, Drain Assy [Gray]	1
▽	13	1228252	(10000000- 20000000 ) Hose Assy, Drain, 1.5d 014l 2/1.5cap Pvc (Black)	1
▲	14	1218955	(10000000- 20000000 ) Cap, Drain Assy [Black]	1
	15	22297	(10000000- 20000000 ) Clamp, Hose, Wormdrive, 1.56- 2.50d, .50w	1
	16	1217669	(10000000- 20000000 ) Hinge Assy, 7.0 Pin, 11 Ga, 100l X 105w	1
	17	1034731	(10000000- 20000000 ) Screw, Hex, M6 X 1.00 X 16, Sems, Ss	4
	18	*100038	(10000000- 20000000 ) Gasket, .50, 02.63id 05.75od, Adh [Epdm]	1
▽	19	*1219312	(10000000- 20000000 ) Fan, Vacuum, 5.7d, 024vdc, 2 Stage	1
▲	20	372883	(10000000- 20000000 ) Vr, Brush Kit, Motor, Ele	1
	21	1062016	(10000000- 20000000 ) Isolator, Vib, .75d	3
	22	1207368	(10000000- 20000000 ) Mount, Vacfan, 5.7/6.6	1
	23	1210807	(10000000- 20000000 ) Wire, Tie [W/.25" Fir Tree Clip]	1
	24	1068577	(10000000- 20000000 ) Muffler, Exhaust, Vacfan, 150mml [T2/T3]	1
	25	1066431	(10000000- 20000000 ) Seal, Afmkt, Bulb, Dual, 03ft [F/.30gap]	1
	26	630052	(10000000- 20000000 ) Float, Shut- Off, (2)Ball, 1.75d	1
	27	630053	(10000000- 20000000 ) Mount, Cage, Float [20.0 Scrubber]	1
	28	630255	(10000000- 20000000 ) Gasket, Float, Mount	1

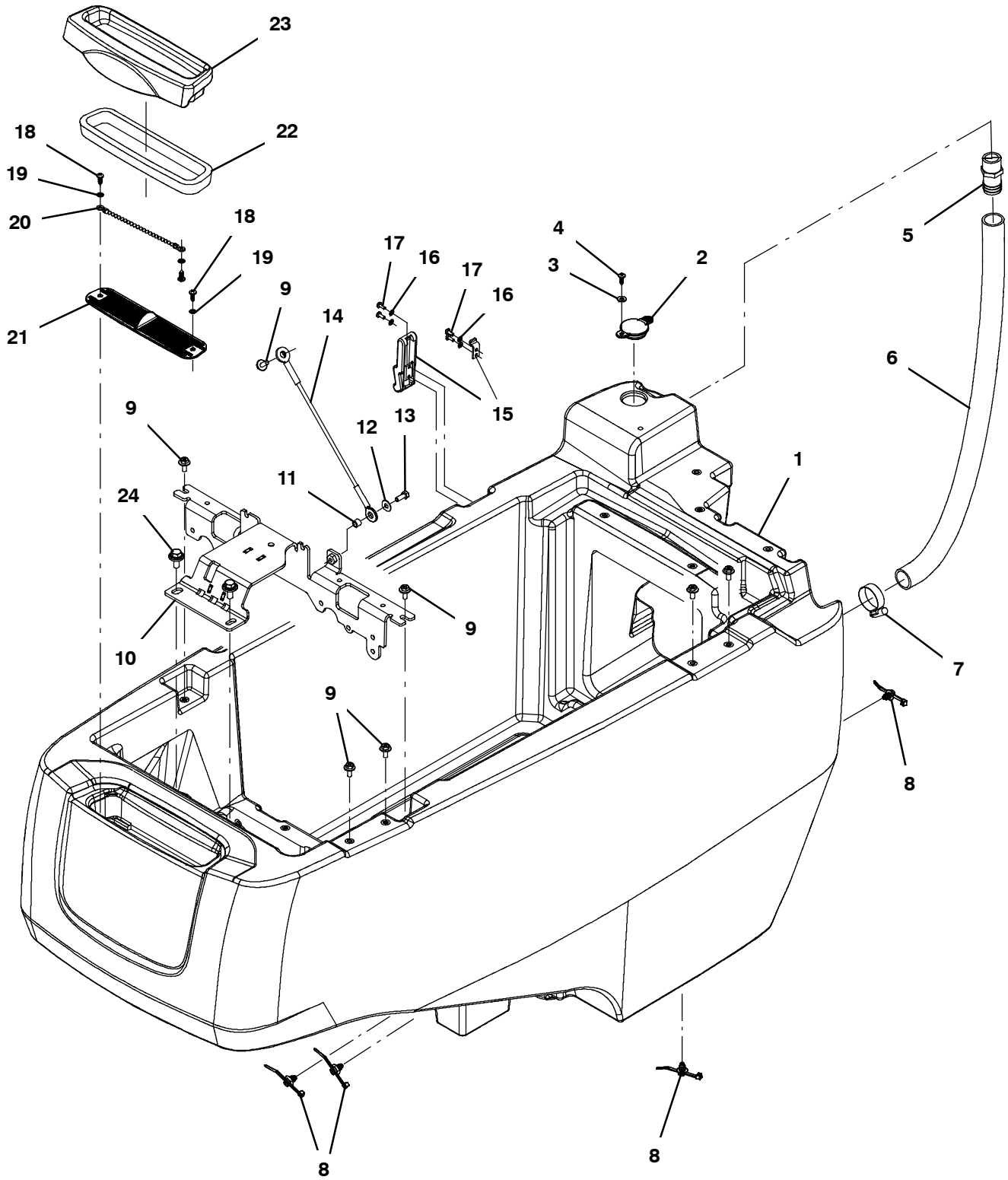
▽ ASSEMBLY

▲ INCLUDED IN ASSEMBLY

**\* For machines serial number range 10835156 - 10842521, vacuum motor replacement requires two gaskets; standard gasket 100038 and extra gasket 223264 (not shown).**

SOLUTION TANK GROUP

355458

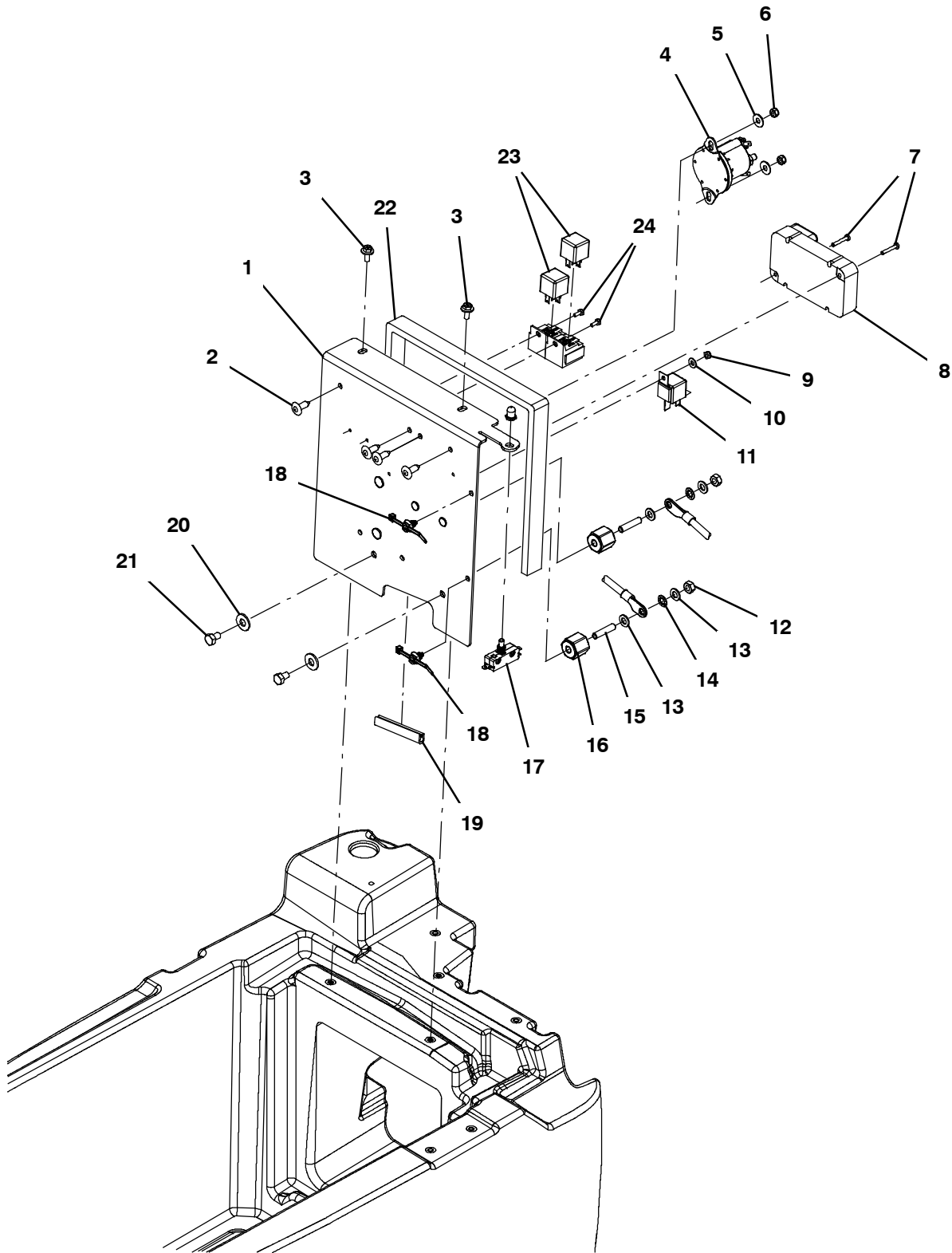


## SOLUTION TANK GROUP

Ref.	Part No.	Serial Number	Description	Qty.
1	1223932	(10000000- 20000000 )	Tank, Solution, Trimmed [T500e]	1
2	1012965	(10000000- 20000000 )	Cap, Port, Soltn Fill	1
3	01683	(10000000- 20000000 )	Washer, Flat, 10, Ss	1
4	1018155	(10000000- 20000000 )	Screw, Pan, Phl, M5 X 0.80 X 16, Tcut,Ss	1
5	1041082	(10000000- 20000000 )	Fitting, Plstc, Str, Bm16/Pm12	1
6	9015728	(10000000- 20000000 )	Hose Kit, Drain, Soln, Ci [T500/T500e]	1
7	11399	(10000000- 20000000 )	Clamp, Hose, Wormdrive, 0.81- 1.50d, .50w	1
8	1210807	(10000000- 20000000 )	Wire, Tie [W/.25" Fir Tree Clip]	4
9	1034731	(10000000- 20000000 )	Screw, Hex, M6 X 1.00 X 16, Sems, Ss	7
10	1221012	(10000000- 20000000 )	Bracket Wldt, Actuator	1
11	140154	(10000000- 20000000 )	Sleeve, P/M, 0.25b 0.38d 0.3l, PI	1
12	01684	(10000000- 20000000 )	Washer, Flat, 0.27b 0.69d .05, Ss	1
13	11329	(10000000- 20000000 )	Screw, Hex, M6 X 1.00 X 16, NI, Ss	1
14	1221803	(10000000- 20000000 )	Cable, Glv .13d 10.5l .38eye /.38eye	1
15	1207285	(10000000- 20000000 )	Latch, Draw, Rbr, W/ Keeper, Yellow	1
16	02938	(10000000- 20000000 )	Washer, Lock, Int, 08, Ss	4
17	49697	(10000000- 20000000 )	Screw, Pan, Phl, M4 X 0.70 X 10, Ss	4
18	1018155	(10000000- 20000000 )	Screw, Pan, Phl, M5 X 0.80 X 16, Tcut,Ss	3
19	07514	(10000000- 20000000 )	Washer, Lock, Int, 10, Ss	3
20	621443	(10000000- 20000000 )	Chain, Ball, 10, 0157mml, Ss	1
21	1219917	(10000000- 20000000 )	Screen, Fltr, 2.0 X 8.7	1
22	9015758	(10000000- 20000000 )	Seal, Tank, Soltn, Ci [T500/T500e]	1
23	1218043	(10000000- 20000000 )	Cover, Fill, Front [T500]	1
23	9015759	(10000000- 20000000 )	Kit, Cover, Fill [T500/T500e] (ec- H2O Models)	1
24	1020341	(10000000- 20000000 )	Screw, Hex, M8 X 1.25 X 20, Ss, Sems	2

STANDARD ELECTRICAL GROUP

355465

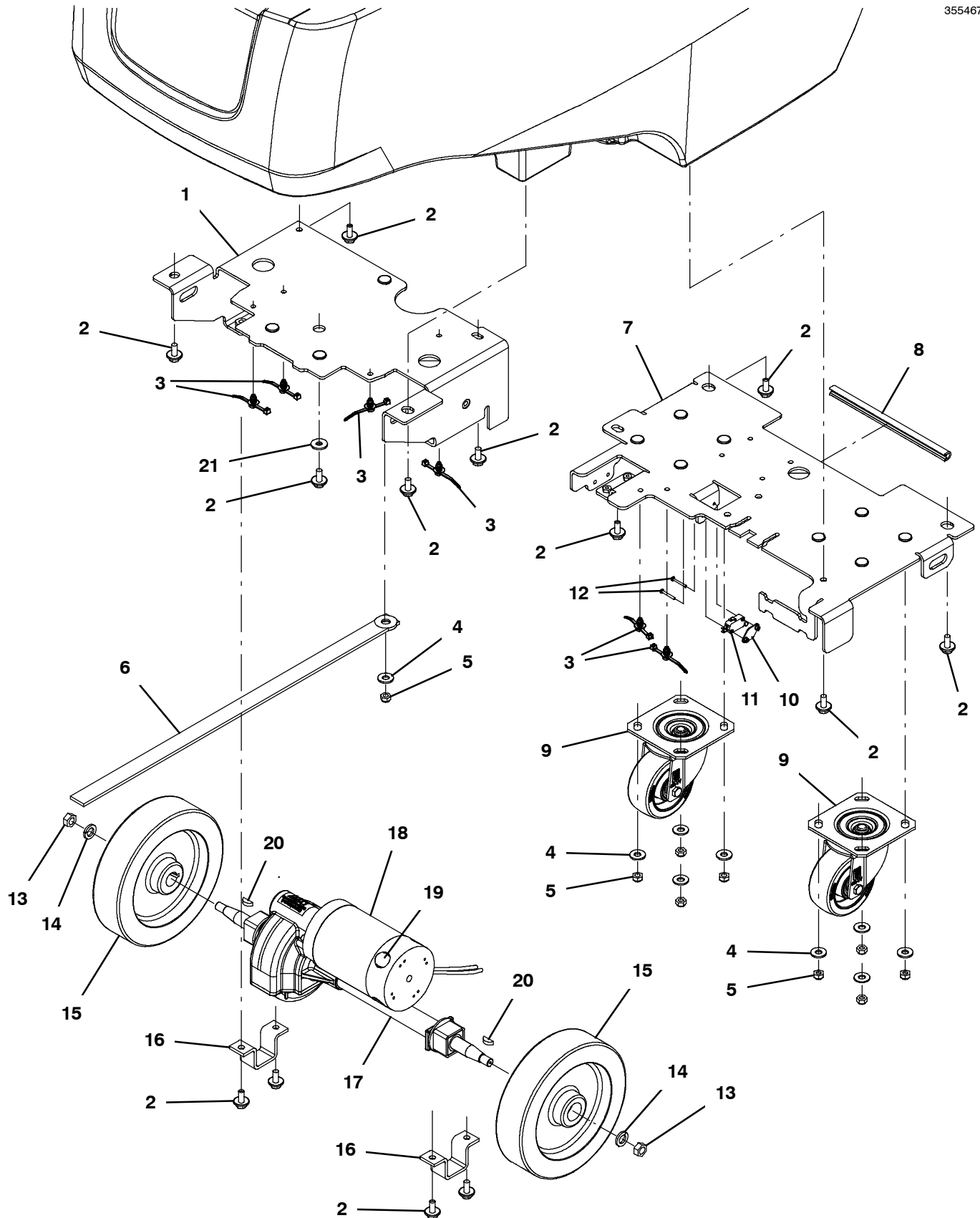


## STANDARD ELECTRICAL GROUP

Ref.	Part No.	Serial Number	Description	Qty.
1	1224001	(10000000- 20000000 )	Bracket Wldt, Mtg, Ele [T500e]	1
2	140262	(10000000- 20000000 )	Clip, Snap- In	4
3	1034731	(10000000- 20000000 )	Screw, Hex, M6 X 1.00 X 16, Sems, Ss	2
4	1066409	(10000000- 20000000 )	Relay, 24vdc, 150a, No [Trombetta]	1
5	01684	(10000000- 20000000 )	Washer, Flat, 0.27b 0.69d .05, Ss	2
6	08712	(10000000- 20000000 )	Nut, Hex, Lock, M6 X 1.00, NI, Ss	2
7	1073600	(10000000- 20000000 )	Screw, Pan, M4 X 0.7 X 25, Fmg	2
8	9015776	(10000000- 20000000 )	Drive Module Kit, Ci	1
9	09739	(10000000- 20000000 )	Nut, Hex, Lock, M5 X 0.80, NI, Ss	1
10	01683	(10000000- 20000000 )	Washer, Flat, 10, Ss	1
11	1228510	(10000000- 20000000 )	Relay, 24vdc, 80a, Spst No, Plug- In	1
12	41361	(10000000- 20000000 )	Nut, Hex, Std, M8 X 1.25, Brs	1
13	1209373	(10000000- 20000000 )	Washer, Flat, M8.4b X 16d X 1.6, Brs	2
14	43952	(10000000- 20000000 )	Washer, Lock, Int, 0.31, Ss	4
15	607461	(10000000- 20000000 )	Screw, Set, M8 X 1.25 X 35, NI	2
16	1205345	(10000000- 20000000 )	Stand- Off, Wir, M8, Insulator, Panel	2
17	1071996	(10000000- 20000000 )	Switch, Push, Snap Action, 25a	1
18	1210807	(10000000- 20000000 )	Wire, Tie [W/.25" Fir Tree Clip]	2
19	1020174	(10000000- 20000000 )	Molding, Afmkt, Trim, Pvc, .08 .11, 03ft	1
20	01685	(10000000- 20000000 )	Washer, Flat, 0.38b 0.88d .08, Ss	2
21	386868	(10000000- 20000000 )	Screw, Hex, M8 X 1.25 X 12, Ss	2
22	1219045	(10000000- 20000000 )	Gasket, Cover, Circuitboard	1
23	49309	(10000000- 20000000 )	Relay, 24vdc, 015a, Spdt No	2
24	16944	(10000000- 20000000 )	Screw, Hex, M4 X 0.70 X 10, Fmg	2

FRAME AND DRIVE GROUP

355467





## FRAME AND DRIVE GROUP

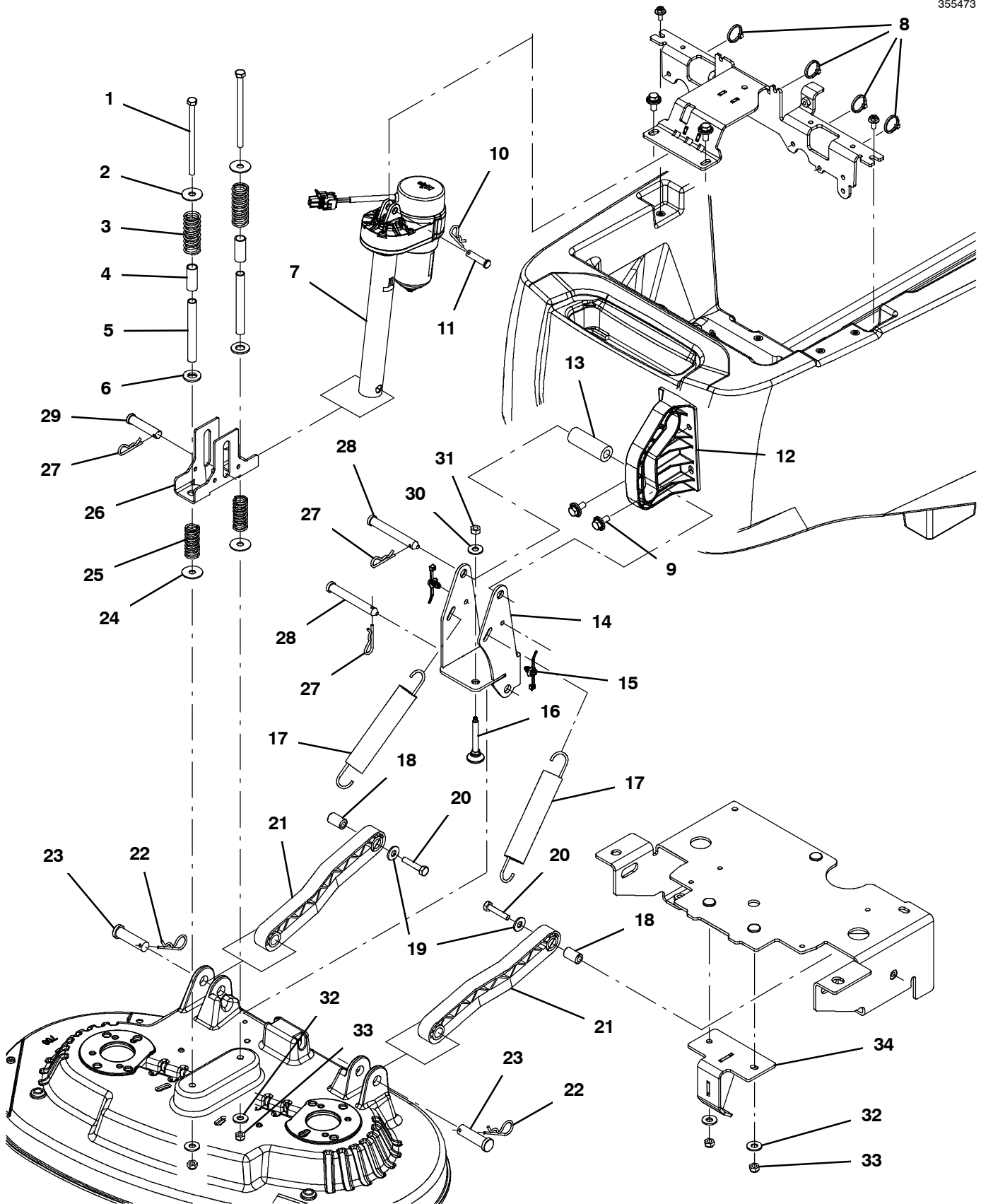
Ref.	Part No.	Serial Number	Description	Qty.
1	1219118	(10000000- 20000000 )	Frame Wldt, Front [T500]	1
2	1020341	(10000000- 20000000 )	Screw, Hex, M8 X 1.25 X 20, Ss, Sems	13
3	1210807	(10000000- 20000000 )	Wire, Tie [W/.25" Fir Tree Clip]	6
4	01685	(10000000- 20000000 )	Washer, Flat, 0.38b 0.88d .08, Ss	9
5	08713	(10000000- 20000000 )	Nut, Hex, Lock, M8 X 1.25, NI, Ss	9
6	71579	(10000000- 20000000 )	Strap, Static, W/Grommet, .19 1.1w 25.0l	1
7	1219137	(10000000- 20000000 )	Frame Wldt, Rear [T500]	1
8	1020168	(10000000- 20000000 )	Molding, Afmkt, Trim, Pvc, .08 .11, 01ft	1
9	1212422	(10000000- 20000000 )	Caster, Swivel [Wicke 224051]	2
10	1013705	(10000000- 20000000 )	Plate, Thread, Switch, M3 Nut, 96hr PI	1
11	1215716	(10000000- 20000000 )	Switch, 0.1a, Spdt[Micro, Gold Contacts]	1
12	33933	(10000000- 20000000 )	Screw, Pan, Phl, M3 X 0.50 X 25, Ss	2
13	07788	(10000000- 20000000 )	Nut, Hex, Std, M12 X 1.75, Ss	2
14	140027	(10000000- 20000000 )	Washer, Flat, 0.35b 0.75d .04, Ss	2
▽	9004909	(10000000- 20000000 )	Wheel Kit, Solid, Ci [T5 T5e Ss5]	1
▲	15 1223583	(10000000- 20000000 )	Wheel, Scrbr, 213mm, W/ Taper	2
	16 606001	(10000000- 20000000 )	Bracket, Mtg, Transaxle, PI [1510, T5]	2
▽	17 1220970	(10000000- 20000000 )	Transaxle, Ele, 24vdc, 107rpm [Asi, 4]	1
▲	612874	(10000000- 20000000 )	Coupling, Transaxle, Replmt	1
▲	612880	(10000000- 20000000 )	Joint, Transaxle, Replmt	1
▲▽	18 1031723	(10000000- 20000000 )	Motor, Transaxle, 24vdc, Afmkt [T5]	1
▲▲	19 614166	(10000000- 20000000 )	Brush Kit, Carbon, Transaxle, Replmt [4]	1
▲	20 1021167	(10000000- 20000000 )	Key, Woodruff, 5mm	2
	21 39890	(10000000- 20000000 )	Washer, Flat, M8, Fendr	1

▽ ASSEMBLY

▲ INCLUDED IN ASSEMBLY

HEAD LIFT GROUP, DISK

355473

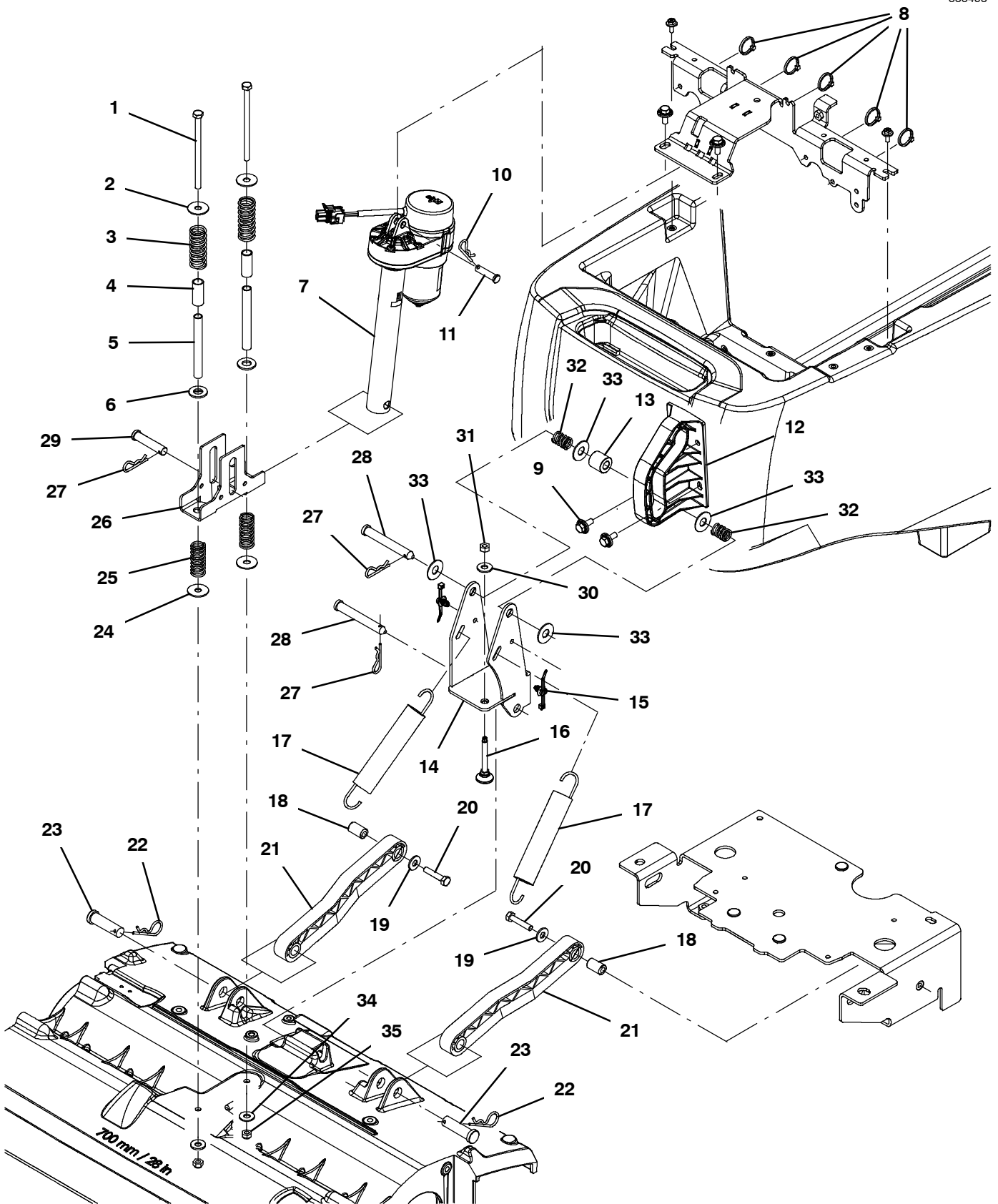


## HEAD LIFT GROUP, DISK

Ref.	Part No.	Serial Number	Description	Qty.
1	387431	(10000000- 20000000 )	Screw, Hex, M8 X 1.25 X 130, Ss	2
2	32662	(10000000- 20000000 )	Washer, Flat, 0.38b 1.22d .06, Ss	2
3	45261	(10000000- 20000000 )	Spring, Cmpr, 0.97od .11wir 02.5l	2
4	1224334	(10000000- 20000000 )	Sleeve, P/M, 0.51b 0.63d 1.5l, PI	2
5	1219491	(10000000- 20000000 )	Sleeve, 0.40id .50d 4.25l, Ss	2
6	32486	(10000000- 20000000 )	Washer, Flat, 0.53b 1.06d .10, Stl, PI	2
7	1225246	(10000000- 20000000 )	Actuator, 24vdc, 05.5strk, 0600lb[Base]	1
8	49263	(10000000- 20000000 )	Tie, Cable, Nyl, 11.4l .19w 3.0 Max D	5
9	1020341	(10000000- 20000000 )	Screw, Hex, M8 X 1.25 X 20, Ss, Sems	4
10	140626	(10000000- 20000000 )	Pin, Cotter, Hair, 0.25d .125 Wir	1
11	29558	(10000000- 20000000 )	Pin, Clevis, 0.37d X 1.50l	1
12	1219912	(10000000- 20000000 )	Bracket, Guide, Head[T500]	1
13	1220305	(10000000- 20000000 )	Tube, Plstc, 0.51id 0.98od 02.8l	1
14	1221507	(10000000- 20000000 )	Pivot Wldt, Head, Scrub [T500]	1
15	1210807	(10000000- 20000000 )	Wire, Tie [W/.25" Fir Tree Clip]	2
16	1227530	(10000000- 20000000 )	Screw, Leveler, M8x75	1
17	222363	(10000000- 20000000 )	Spring, Extn, 1.23od 0.15wir 06.5l	2
18	606056	(10000000- 20000000 )	Tube, 0.32id 0.62od 01.0l, Stl, PI	2
19	01685	(10000000- 20000000 )	Washer, Flat, 0.38b 0.88d .08, Ss	2
20	74440	(10000000- 20000000 )	Screw, Hex, M8 X 1.25 X 40, NI, Ss	2
21	222027	(10000000- 20000000 )	Arm, Lift, Head	2
22	02942	(10000000- 20000000 )	Pin, Hair, Cotter, 0.62d .120 Wir	2
23	222210	(10000000- 20000000 )	Pin, Clevis, 0.62d X 2.12l	2
24	32662	(10000000- 20000000 )	Washer, Flat, 0.38b 1.22d .06, Ss	2
25	63185	(10000000- 20000000 )	Spring, Cmpr, 0.85od .09wir 02.0l	2
26	1224191	(10000000- 20000000 )	Bracket, Spring, Suspension, Head	1
27	140626	(10000000- 20000000 )	Pin, Cotter, Hair, 0.25d .125 Wir	3
28	374225	(10000000- 20000000 )	Pin, Clevis, 0.50d X 3.75l	2
29	11211	(10000000- 20000000 )	Pin, Clevis, 0.50d X 2.25l	1
30	01685	(10000000- 20000000 )	Washer, Flat, 0.38b 0.88d .08, Ss	1
31	07786	(10000000- 20000000 )	Nut, Hex, Std, M8 X 1.25, Ss	1
32	01685	(10000000- 20000000 )	Washer, Flat, 0.38b 0.88d .08, Ss	4
33	08713	(10000000- 20000000 )	Nut, Hex, Lock, M8 X 1.25, NI, Ss	4
34	1222374	(10000000- 20000000 )	Frame Wldt, Hardstop [T500]	1

HEAD LIFT GROUP, CYLINDRICAL

355493

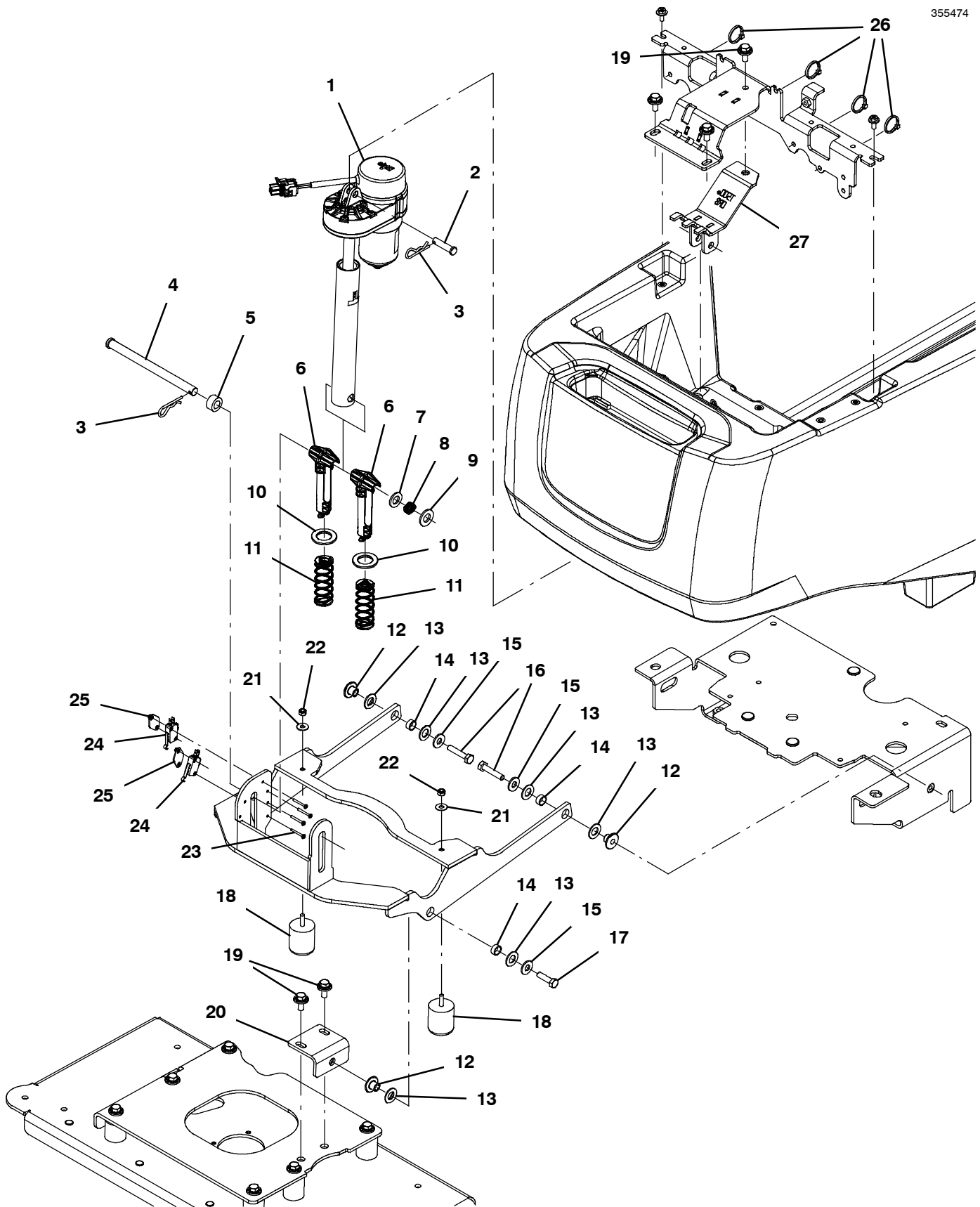


## HEAD LIFT GROUP, CYLINDRICAL

Ref.	Part No.	Serial Number	Description	Qty.
1	387431	(10000000- 20000000 )	Screw, Hex, M8 X 1.25 X 130, Ss	2
2	32662	(10000000- 20000000 )	Washer, Flat, 0.38b 1.22d .06, Ss	2
3	45261	(10000000- 20000000 )	Spring, Cmpr, 0.97od .11wir 02.5l	2
4	1224334	(10000000- 20000000 )	Sleeve, P/M, 0.51b 0.63d 1.5l, PI	2
5	1219491	(10000000- 20000000 )	Sleeve, 0.40id .50d 4.25l, Ss	2
6	32486	(10000000- 20000000 )	Washer, Flat, 0.53b 1.06d .10, Stl, PI	2
7	1225246	(10000000- 20000000 )	Actuator, 24vdc, 05.5strk, 0600lb[Base]	1
8	49263	(10000000- 20000000 )	Tie, Cable, Nyl, 11.4l .19w 3.0 Max D	5
9	1020341	(10000000- 20000000 )	Screw, Hex, M8 X 1.25 X 20, Ss, Sems	4
10	140626	(10000000- 20000000 )	Pin, Cotter, Hair, 0.25d .125 Wir	1
11	29558	(10000000- 20000000 )	Pin, Clevis, 0.37d X 1.50l	1
12	1219912	(10000000- 20000000 )	Bracket, Guide, Head[T500]	1
13	1014020	(10000000- 20000000 )	Roller, 0.99d 0.50b 0.95l, Acetal	1
14	1221507	(10000000- 20000000 )	Pivot Wldt, Head, Scrub [T500]	1
15	1210807	(10000000- 20000000 )	Wire, Tie [W/.25" Fir Tree Clip]	2
16	1227530	(10000000- 20000000 )	Screw, Leveler, M8x75	1
17	222363	(10000000- 20000000 )	Spring, Extn, 1.23od 0.15wir 06.5l	2
18	606056	(10000000- 20000000 )	Tube, 0.32id 0.62od 01.0l, Stl, PI	2
19	01685	(10000000- 20000000 )	Washer, Flat, 0.38b 0.88d .08, Ss	2
20	74440	(10000000- 20000000 )	Screw, Hex, M8 X 1.25 X 40, NI, Ss	2
21	222027	(10000000- 20000000 )	Arm, Lift, Head	2
22	02942	(10000000- 20000000 )	Pin, Hair, Cotter, 0.62d .120 Wir	2
23	222210	(10000000- 20000000 )	Pin, Clevis, 0.62d X 2.12l	2
24	32662	(10000000- 20000000 )	Washer, Flat, 0.38b 1.22d .06, Ss	2
25	63185	(10000000- 20000000 )	Spring, Cmpr, 0.85od .09wir 02.0l	2
26	1224191	(10000000- 20000000 )	Bracket, Spring, Suspension, Head	1
27	140626	(10000000- 20000000 )	Pin, Cotter, Hair, 0.25d .125 Wir	3
28	374225	(10000000- 20000000 )	Pin, Clevis, 0.50d X 3.75l	2
29	11211	(10000000- 20000000 )	Pin, Clevis, 0.50d X 2.25l	1
30	01685	(10000000- 20000000 )	Washer, Flat, 0.38b 0.88d .08, Ss	1
31	07786	(10000000- 20000000 )	Nut, Hex, Std, M8 X 1.25, Ss	1
32	607920	(10000000- 20000000 )	Spring, Cmpr, 0.70od .10wir 01.0l, Mw	2
33	140045	(10000000- 20000000 )	Washer, Flat, 0.51b 1.25d .06, Ss	4
34	01685	(10000000- 20000000 )	Washer, Flat, 0.38b 0.88d .08, Ss	2
35	08713	(10000000- 20000000 )	Nut, Hex, Lock, M8 X 1.25, NI, Ss	2

HEAD LIFT GROUP, ORBITAL

355474

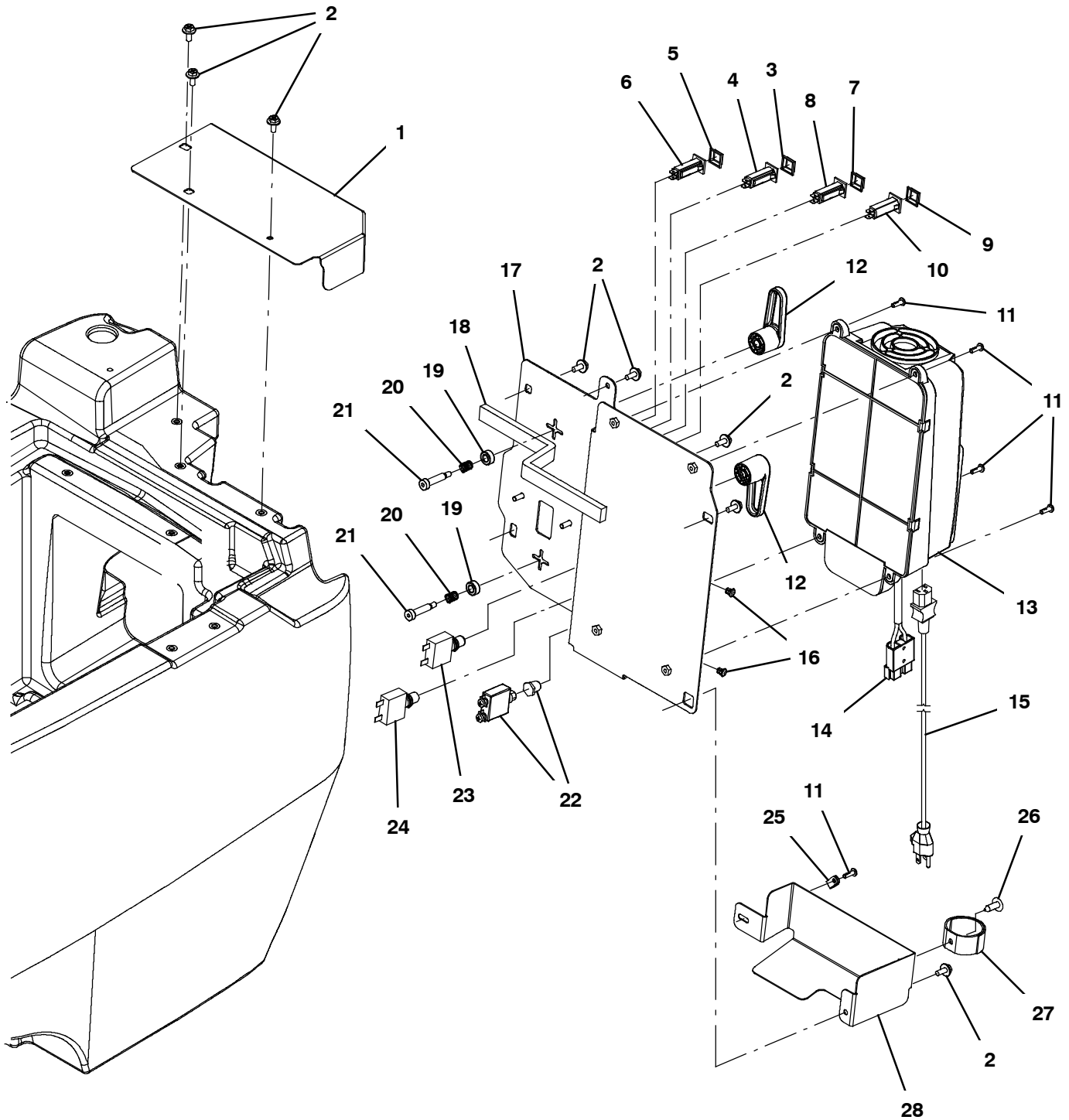


## HEAD LIFT GROUP, ORBITAL

Ref.	Part No.	Serial Number	Description	Qty.
1	1225246	(10000000- 20000000 )	Actuator, 24vdc, 05.5strk, 0600lb[Base]	1
2	29558	(10000000- 20000000 )	Pin, Clevis, 0.37d X 1.50l	1
3	140626	(10000000- 20000000 )	Pin, Cotter, Hair, 0.25d .125 Wir	1
4	1226754	(10000000- 20000000 )	Pin, Clevis, .50d X 7.00l	1
5	1226759	(10000000- 20000000 )	Spacer, .500 ld X .875 Od	1
6	1224233	(10000000- 20000000 )	Pin, Guide, Spring, Head	2
7	1013936	(10000000- 20000000 )	Washer, Flat, 0.51b 0.94d .10, Nyl	1
8	1226640	(10000000- 20000000 )	Spring, Wave, .512 ld X .709 Od X .375	1
9	32486	(10000000- 20000000 )	Washer, Flat, 0.53b 1.06d .10, Stl, Pl	1
10	1225960	(10000000- 20000000 )	Washer, Thrust, 0.89b 1.50d 0.13w, Bnz	2
11	1227036	(10000000- 20000000 )	Spring, Cmpr, 1.10od .085wir 03.0l	2
12	1059990	(10000000- 20000000 )	Sleeve, Flng, 0.32b 1.00/0.50d 0.6l, Ss	3
13	608562	(10000000- 20000000 )	Washer, Flat, 0.51b 0.94d .06, Nyl	6
14	630188	(10000000- 20000000 )	Bearing, Journal, .50id X .25l	3
15	01685	(10000000- 20000000 )	Washer, Flat, 0.38b 0.88d .08, Ss	3
16	74440	(10000000- 20000000 )	Screw, Hex, M8 X 1.25 X 40, NI, Ss	2
17	1016399	(10000000- 20000000 )	Screw, Hex, M8 X 1.25 X 30, NI, Ss	1
18	1212543	(10000000- 20000000 )	Isolator, Neoprene, 1.25" X 1.25", M8	2
19	1020341	(10000000- 20000000 )	Screw, Hex, M8 X 1.25 X 20, Ss, Sems	3
20	1224295	(10000000- 20000000 )	Brkt Wldt, Lift	1
21	01685	(10000000- 20000000 )	Washer, Flat, 0.38b 0.88d .08, Ss	2
22	08713	(10000000- 20000000 )	Nut, Hex, Lock, M8 X 1.25, NI, Ss	2
23	33933	(10000000- 20000000 )	Screw, Pan, Phl, M3 X 0.50 X 25, Ss	6
24	1215716	(10000000- 20000000 )	Switch, 0.1a, Spdt[Micro, Gold Contacts]	2
25	1013705	(10000000- 20000000 )	Plate, Thread, Switch, M3 Nut, 96hr Pl	2
26	49263	(10000000- 20000000 )	Tie, Cable, Nyl, 11.4l .19w 3.0 Max D	5
27	1225990	(10000000- 20000000 )	Bracket Wldt, Mount, Actuator[T500e]	1

LOWER CONSOLE GROUP, ON-BOARD CHARGER

355462





LOWER CONSOLE GROUP, ON-BOARD CHARGER

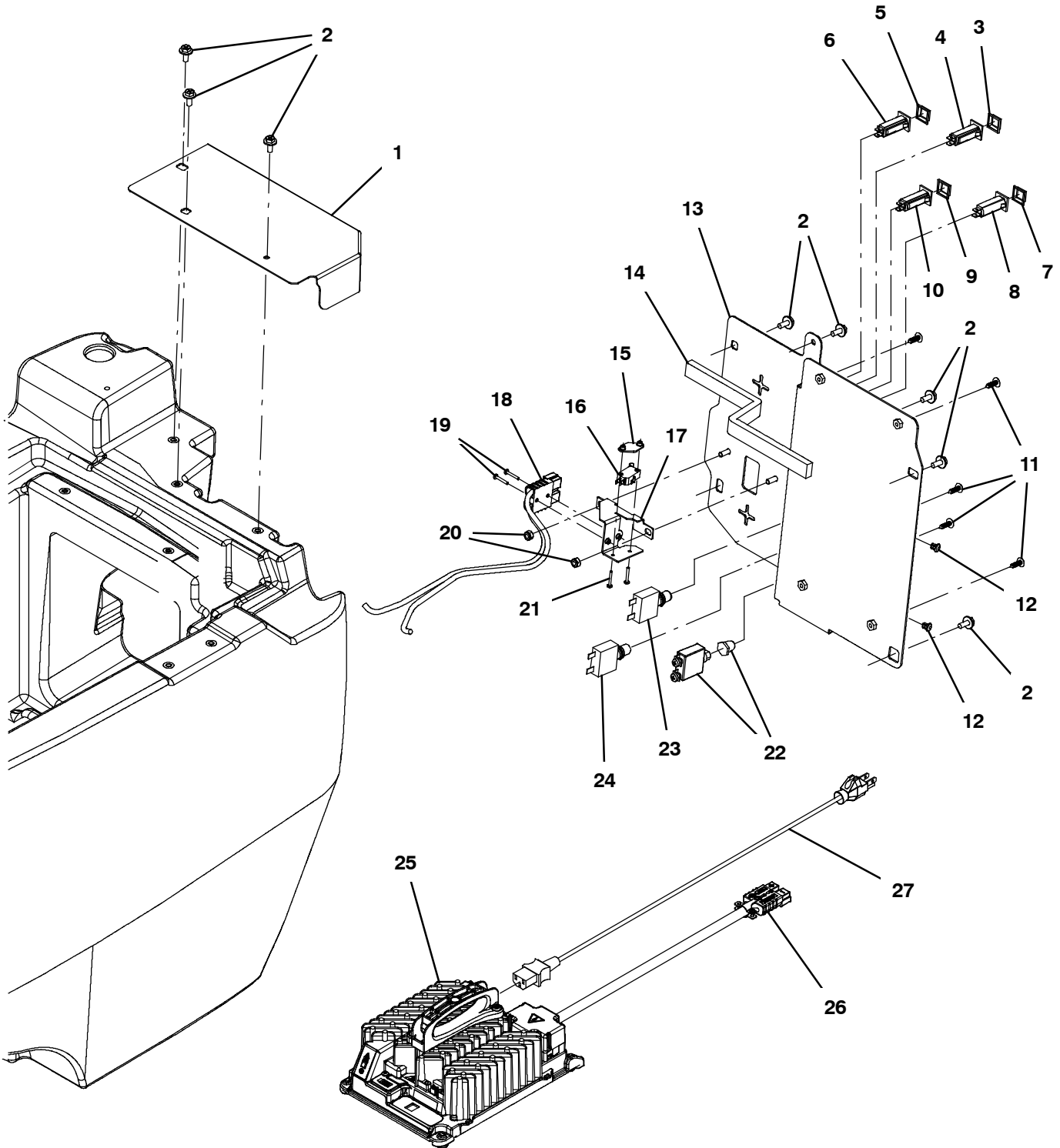
Ref.	Part No.	Serial Number	Description	Qty.	
1	1225401	(10000000- 20000000 )	Bracket, Cover, Charger	1	
2	1034731	(10000000- 20000000 )	Screw, Hex, M6 X 1.00 X 16, Sems, Ss	8	
3	1064191	(10000000- 20000000 )	Boot, Circuitbreaker	1	
4	1064187	(10000000- 20000000 )	Circuitbreaker, 10.0a, Resetable (ec- H2O / ABW Option)	1	
5	1064191	(10000000- 20000000 )	Boot, Circuitbreaker	1	
6	1208816	(10000000- 20000000 )	Circuitbreaker, 04.0a, Resetable (Key Switch)	1	
7	1064191	(10000000- 20000000 )	Boot, Circuitbreaker	1	
8	1064187	(10000000- 20000000 )	Circuitbreaker, 10.0a, Resetable (Actuator)	1	
9	1064191	(10000000- 20000000 )	Boot, Circuitbreaker	1	
10	1064189	(10000000- 20000000 )	Circuitbreaker, 20.0a, Resetable (Vacuum Fan)	1	
11	1205799	(10000000- 20000000 )	Screw, Btn, M5 X 0.8 X 16, 8.8, NI, Torx	5	
12	1205496	(10000000- 20000000 )	Hook, Cord	2	
▽	13	1220856	(10000000- 20000000 )	Charger, 24vdc 25a 115- 240vac [On- Board]	1
▲	14	605387	(10000000- 20000000 )	Connector, Anderson, 050a, Red [W/O Con]	1
	15	1025642	(10000000- 20000000 )	Cord, Power, 16/3, 15ft Blk [Us]	1
	15	1026330	(10000000- 20000000 )	Cord, Power, 1.0mm2 [2.5meter]	1
	15	1026325	(10000000- 20000000 )	Cord, Power, 1.0mm2/3 Blk[2.5meter, Aus]	1
	15	1048304	(10000000- 20000000 )	Cord, Power [4.5meter, India, S.Africa]	1
	16	1202868	(10000000- 20000000 )	Clip, Tie, 0.25d, Plstc	2
	17	1225019	(10000000- 20000000 )	Bracket Wldt, Charger	1
	18	1046428	(10000000- 20000000 )	Seal, Afmkt, Rbr, Clsd, Adh, 02ft	1
	19	1014668	(10000000- 20000000 )	Bushing, Sleeve, 8mmb 12mmd 6mml	2
	20	611311	(10000000- 20000000 )	Spring, Cmpr, 0.40od .05wir 00.5l, Pl,Mw	2
	21	1024965	(10000000- 20000000 )	Bolt, Shld, 08mmd X 030mm, M06 X 1.0	2
	22	383729	(10000000- 20000000 )	Circuitbreaker, 60.0a (I- Drive)	1
	23	383724	(10000000- 20000000 )	Circuitbreaker, 25.0a, Resetable (Left Scrub Motor)	1
	24	383724	(10000000- 20000000 )	Circuitbreaker, 25.0a, Resetable (Right Scrub Motor)	1
	25	378969	(10000000- 20000000 )	Clamp, Cable, Stl, 0.56d X 0.38w, 1hole	1
	26	140262	(10000000- 20000000 )	Clip, Snap- In	1
	27	1059534	(10000000- 20000000 )	Fastener, 09.00l [Hook & Loop]	1
	28	1224589	(10000000- 20000000 )	Bracket, Cover, Charger Cables	1

▽ ASSEMBLY

▲ INCLUDED IN ASSEMBLY

LOWER CONSOLE GROUP, OFF-BOARD CHARGER

355461



LOWER CONSOLE GROUP, OFF- BOARD CHARGER

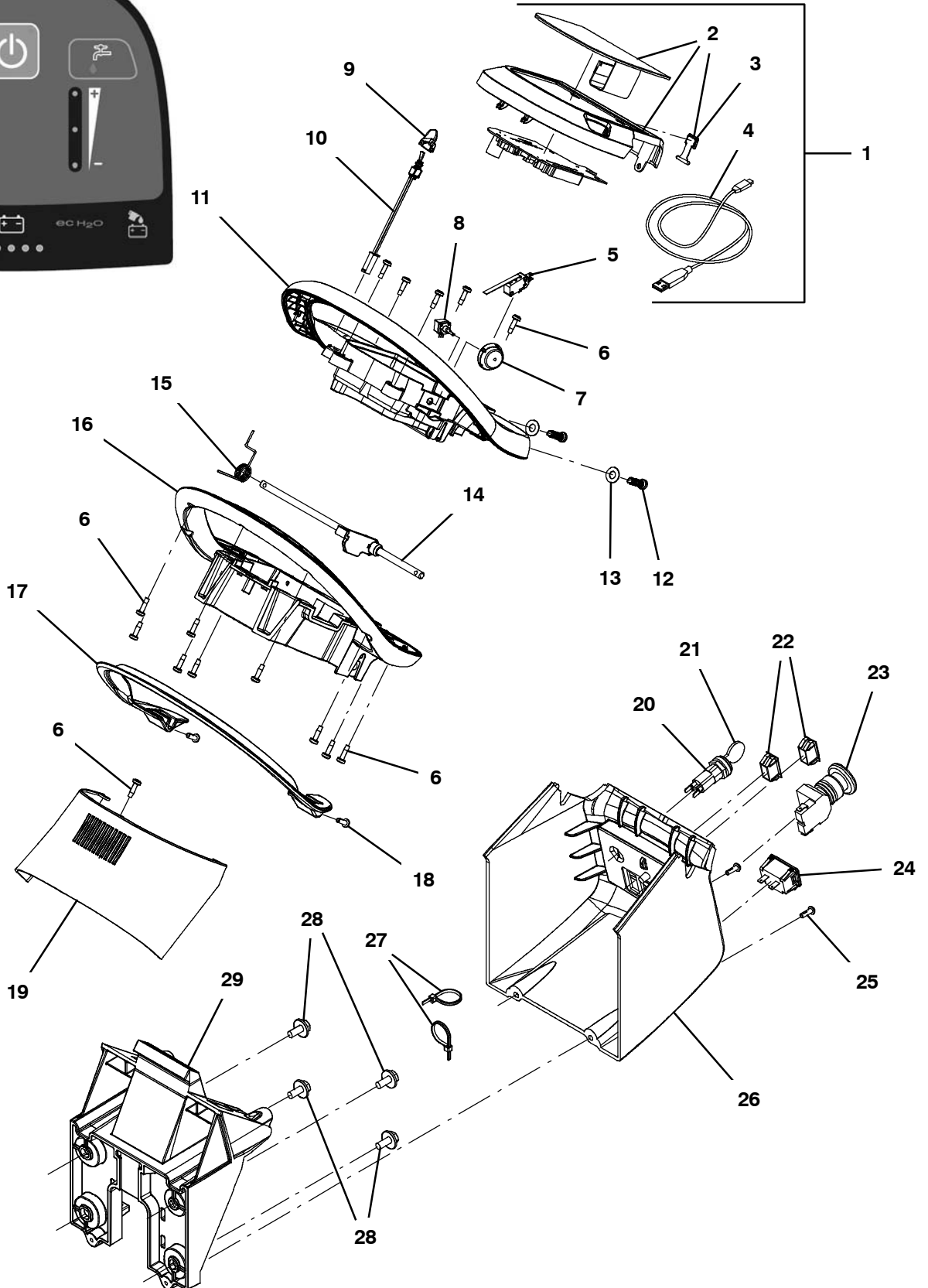
Ref.	Part No.	Serial Number	Description	Qty.	
1	1225401	(10000000- 20000000 )	Bracket, Cover, Charger	1	
2	1034731	(10000000- 20000000 )	Screw, Hex, M6 X 1.00 X 16, Sems, Ss	8	
3	1064191	(10000000- 20000000 )	Boot, Circuitbreaker	1	
4	1064187	(10000000- 20000000 )	Circuitbreaker, 10.0a, Resetable (ec- H2O / ABW Option)	1	
5	1064191	(10000000- 20000000 )	Boot, Circuitbreaker	1	
6	1208816	(10000000- 20000000 )	Circuitbreaker, 04.0a, Resetable (Key Switch)	1	
7	1064191	(10000000- 20000000 )	Boot, Circuitbreaker	1	
8	1064187	(10000000- 20000000 )	Circuitbreaker, 10.0a, Resetable (Actuator)	1	
9	1064191	(10000000- 20000000 )	Boot, Circuitbreaker	1	
10	1064189	(10000000- 20000000 )	Circuitbreaker, 20.0a, Resetable (Vacuum Fan)	1	
11	397780	(10000000- 20000000 )	Plug, Hole, Rnd, 0.19h 0.7l, Brb, Plstc	5	
12	1202868	(10000000- 20000000 )	Clip, Tie, 0.25d, Plstc	2	
13	1225019	(10000000- 20000000 )	Bracket Wldt, Charger	1	
14	1046428	(10000000- 20000000 )	Seal, Afmkt, Rbr, Clsd, Adh, 02ft	1	
15	1013705	(10000000- 20000000 )	Plate, Thread, Switch, M3 Nut, 96hr PI	1	
16	1215716	(10000000- 20000000 )	Switch, 0.1a, Spdt[Micro, Gold Contacts]	1	
17	1225158	(10000000- 20000000 )	Bracket Assy, Charger Plug	1	
18	605387	(10000000- 20000000 )	Connector, Anderson, 050a, Red [W/O Con]	1	
19	06922	(10000000- 20000000 )	Screw, Pan, Phl, M3 X 0.50 X 20, 4.8	2	
20	08712	(10000000- 20000000 )	Nut, Hex, Lock, M6 X 1.00, NI, Ss	2	
21	06922	(10000000- 20000000 )	Screw, Pan, Phl, M3 X 0.50 X 20, 4.8	2	
22	383729	(10000000- 20000000 )	Circuitbreaker, 60.0a (I- Drive)	1	
23	383724	(10000000- 20000000 )	Circuitbreaker, 25.0a, Resetable (Left Scrub Motor)	1	
24	383724	(10000000- 20000000 )	Circuitbreaker, 25.0a, Resetable (Right Scrub Motor)	1	
▽	25	1217495	(10000000- 20000000 )	Charger, 24vdc, 650w,85- 265vac [Off Brd]	1
▲	26	605387	(10000000- 20000000 )	Connector, Anderson, 050a, Red [W/O Con]	1
	27	1025642	(10000000- 20000000 )	Cord, Power, 16/3, 15ft Blk [Us]	1
	27	1026330	(10000000- 20000000 )	Cord, Power, 1.0mm2 [2.5meter] (China)	1
	27	1026325	(10000000- 20000000 )	Cord, Power, 1.0mm2/3 Blk[2.5meter, Aus]	1
	27	1048304	(10000000- 20000000 )	Cord, Power [4.5meter, India, S.Africa]	1

▽ ASSEMBLY

▲ INCLUDED IN ASSEMBLY

CONSOLE GROUP

355460



## CONSOLE GROUP

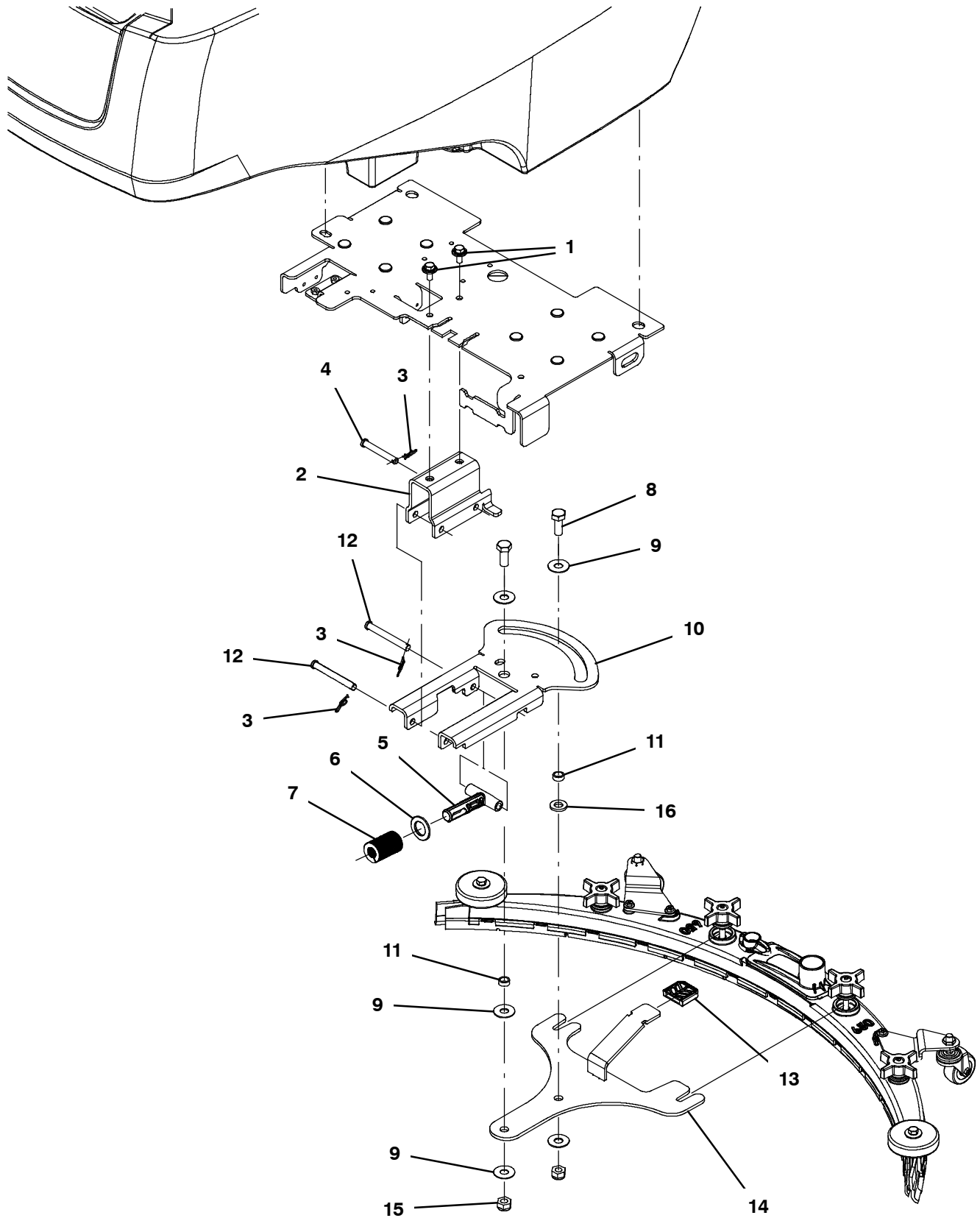
	Ref.	Part No.	Serial Number	Description	Qty.
▽	1	9015780	(10000000-20000000)	Bezel Kit, Membrane [T500e]	1
▲▽	2	9015781	(10000000-20000000)	Screen Kit [T500e]	1
▲▲	3	1205618	(10000000-20000000)	Cap, Usb	1
▲	4	1071235	(10000000-20000000)	Cable [Usb, 2m, A- Male To Mini- B- Male]	1
	5	1205323	(10000000-20000000)	Switch, 0.1a, Spdt [Micro, Straight]	1
	6	1043573	(10000000-20000000)	Screw, #10- 14 X 0.675, Spl[Shcs,Selftap]	15
	7	1206586	(10000000-20000000)	Dial, Range, Speed	1
	8	1204930	(10000000-20000000)	Potentiometer [100k, 1 Turn, B5/B7]	1
	9	1209730	(10000000-20000000)	Cap, Toggle, Direction	1
	10	1209673	(10000000-20000000)	Switch Assy, Toggle, Direction	1
	11	1203787	(10000000-20000000)	Housing, Handle, Cntrl, Top	2
	12	1215863	(10000000-20000000)	Screw, Pan, Torx, M8 X 3.5 X 25[Remform]	2
	13	140027	(10000000-20000000)	Washer, Flat, 0.35b 0.75d .04, Ss	2
	14	1205143	(10000000-20000000)	Shaft Assy, Bail, Handle	1
	15	1205781	(10000000-20000000)	Spring, Return, Bail	1
	16	1222608	(10000000-20000000)	Housing, Handle, Cntrl, Bottom, Slotted	1
	17	1205778	(10000000-20000000)	Handle, Bail [Machined]	1
	18	1205799	(10000000-20000000)	Screw, Btn, M5 X 0.8 X 16, 8.8, NI, Torx	2
	19	9015305	(10000000-20000000)	Cover Kit, Handle, Cntrl	1
▽	20	1011402	(10000000-20000000)	Switch, Key	1
▲	21	1017696	(10000000-20000000)	Key Set, Replmt [F/ Keyswitch 1011402]	1
	22	582150	(10000000-20000000)	Plug, Hole, Rt, 1.23 X 1.12, Nyl	2
	23	1011735	(10000000-20000000)	Switch, Safety, Shutoff	1
	24	1064038	(10000000-20000000)	Gauge, Hourmeter, 05-277 Volt, Ac / Dc	1
	25	1205799	(10000000-20000000)	Screw, Btn, M5 X 0.8 X 16, 8.8, NI, Torx	2
	26	1223019	(10000000-20000000)	Cover, Console, Lower [T500e]	1
	27	130773	(10000000-20000000)	Tie, Cable, Nyl, 11.0l, .14w, 3.0 Max. D	2
	28	1020341	(10000000-20000000)	Screw, Hex, M8 X 1.25 X 20, Ss, Sems	4
	29	1226368	(10000000-20000000)	Frame, Console, Short, Simplified [Im]	1

▽ ASSEMBLY

▲ INCLUDED IN ASSEMBLY

SQUEEGEE LIFT GROUP

355475

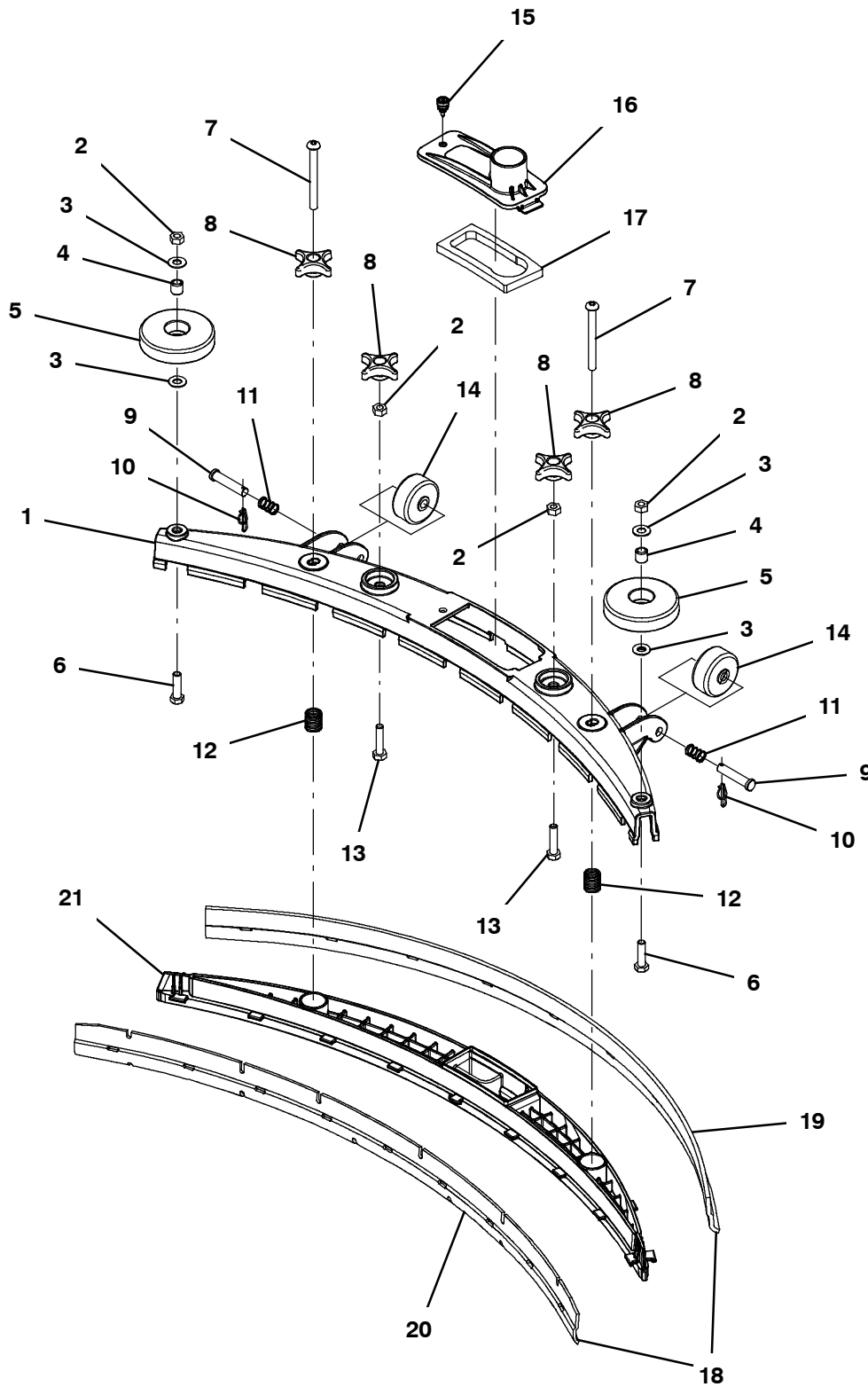


## SQUEEGEE LIFT GROUP

Ref.	Part No.	Serial Number	Description	Qty.
1	1020341	(10000000- 20000000 )	Screw, Hex, M8 X 1.25 X 20, Ss, Sems	2
2	1221959	(10000000- 20000000 )	Bracket, Wldt, Lift, Sqge [T500]	1
3	1216647	(10000000- 20000000 )	Pin, Cotter, Hair, 0.38d .054 Wir	3
4	391179	(10000000- 20000000 )	Pin, Clevis, 0.37d X 2.62l	1
5	1230368	(10000000- 20000000 )	Guide, Spring	1
6	1225960	(10000000- 20000000 )	Washer, Thrust, 0.89b 1.50d 0.13w, Bnz	1
7	1228773	(10000000- 20000000 )	Spring, Cmpr, 1.25od, .625id, 2.0l	1
8	12309	(10000000- 20000000 )	Screw, Hex, M12 X 1.75 X 30, Ss	2
9	140045	(10000000- 20000000 )	Washer, Flat, 0.51b 1.25d .06, Ss	5
10	1219466	(10000000- 20000000 )	Bracket, Pivot, Sqge [T500]	1
11	1013662	(10000000- 20000000 )	Bushing, Sleeve, 12mmb 16mmd 7mml, Pm Yel	2
12	57598	(10000000- 20000000 )	Pin, Clevis, 0.37d X 3.25l	2
13	1212533	(10000000- 20000000 )	Cover, Pedal, Lift	1
14	1220505	(10000000- 20000000 )	Bracket Wldt, Mtg, Sqge [T500]	1
15	09741	(10000000- 20000000 )	Nut, Hex, Lock, M12 X 1.75, NI, Ss	2
16	140127	(10000000- 20000000 )	Washer, Thrust, 0.51b 1.00d 0.12w, Brz	1

SQUEEGEE ASSEMBLY, 500MM / 20IN

355437





## SQUEEGEE ASSEMBLY, 500MM / 20IN

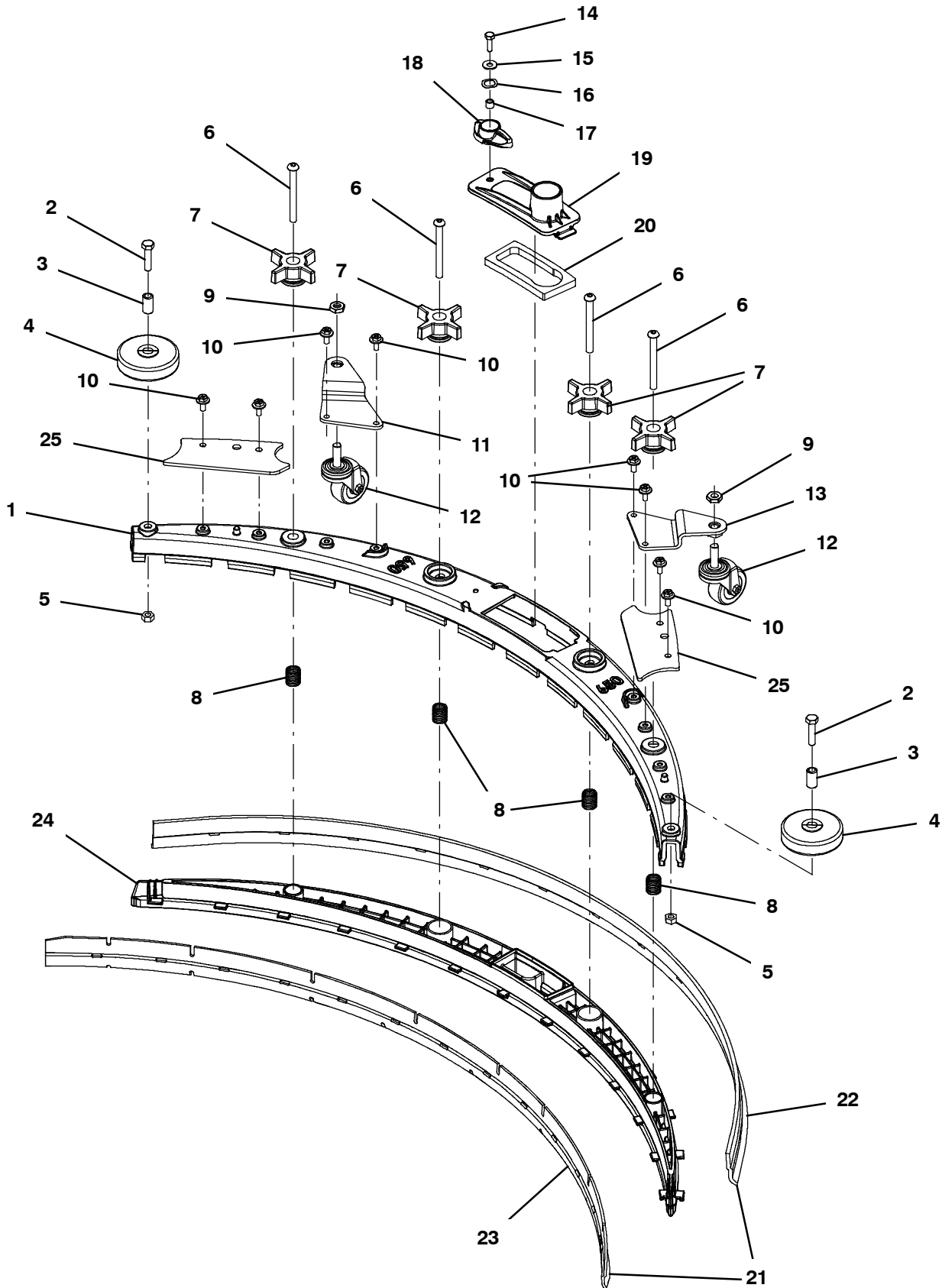
Ref.	Part No.	Serial Number	Description	Qty.
▽	9014172	(10000000- 20000000 )	Squeegee Kit, Linatex, Ci [T300/E/Ss300]	1
▲	1 1215681	(10000000- 20000000 )	Frame, Sqge, 50cm, Mach [T300]	1
▲	2 07786	(10000000- 20000000 )	Nut, Hex, Std, M8 X 1.25, Ss	2
▲	3 140027	(10000000- 20000000 )	Washer, Flat, 0.35b 0.75d .04, Ss	4
▲	4 222460	(10000000- 20000000 )	Sleeve, P/M, 0.32b 0.50d 0.5l [430ss]	2
▲	5 1010560	(10000000- 20000000 )	Wheel, Bmpr, 80d X 25w, Non- Marking	2
▲	6 1016399	(10000000- 20000000 )	Screw, Hex, M8 X 1.25 X 30, Ni, Ss	2
▲	7 1212755	(10000000- 20000000 )	Screw, Btn, M8 X 1.25 X 80, Ss	2
▲	8 1213677	(10000000- 20000000 )	Knob, Star, 2.00od 4ear M8x1.25 [Yel]	4
▲	9 17461	(10000000- 20000000 )	Pin, Clevis, 0.37d X 1.75l	2
▲	10 1216647	(10000000- 20000000 )	Pin, Cotter, Hair, 0.38d .054 Wir	2
▲	11 1017091	(10000000- 20000000 )	Spring, Cmpr, 0.50od .04wir 00.8l	2
▲	12 22290	(10000000- 20000000 )	Spring, Cmpr, 0.72od .06wir 02.3l	2
▲	13 09026	(10000000- 20000000 )	Screw, Hex, M8 X 1.25 X 40, Ss	2
▲	14 630477	(10000000- 20000000 )	Wheel, Pyu, 02.0d 0.38w, Gray	2
▲	15 1212683	(10000000- 20000000 )	Screw, Captive, M5, Knurled [Snap In]	1
▲	16 1209631	(10000000- 20000000 )	Cover, Trap, Water, Sqge	1
▲	17 1210756	(10000000- 20000000 )	Gasket, Trap, Water, Sqge	1
▲▽	18 9015731	(10000000- 20000000 )	Blade Kit, 500mm, Linatex (Standard)	1
▲▲	19 1203953	(10000000- 20000000 )	Blade, Sqge, Rear, 836l, Linatex[500mm] (Standard)	1
▲▲	20 1203954	(10000000- 20000000 )	Blade, Sqge, Front, 788l, Linatex[500mm] (Standard)	1
▲	21 1203638	(10000000- 20000000 )	Retainer, Sqge [T300]	1
▽	18 9015732	(10000000- 20000000 )	Blade Kit, 500mm, Urethane (Option)	1
▲	19 1215609	(10000000- 20000000 )	Blade, Sqge, Rear, 836l, Urethane[500mm] (Option)	1
▲	20 1215611	(10000000- 20000000 )	Blade, Sqge, Front, 788l, Urethane[500mm] (Option)	1
▽	18 9015730	(10000000- 20000000 )	Blade Kit, 500mm, Gum (Option)	1
▲	19 1215610	(10000000- 20000000 )	Blade, Sqge, Rear, 836l, Gum[500mm] (Option)	1
▲	20 1215612	(10000000- 20000000 )	Blade, Sqge, Front, 788l, Gum[500mm] (Option)	1

▽ ASSEMBLY

▲ INCLUDED IN ASSEMBLY

SQUEEGEE ASSEMBLY, 650MM / 26IN

355438



## SQUEEGEE ASSEMBLY, 650MM / 26IN

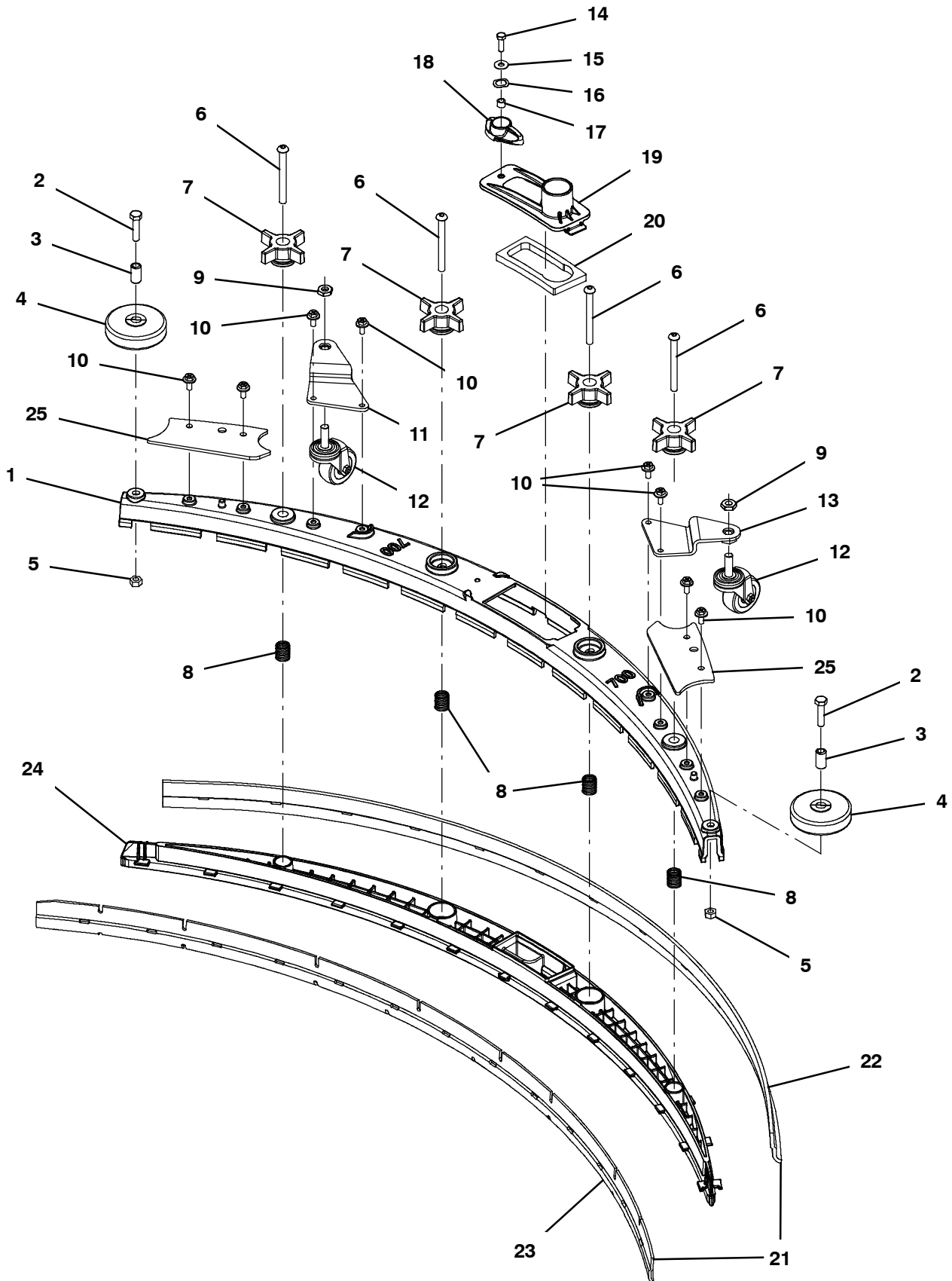
Ref.	Part No.	Serial Number	Description	Qty.
▽	9015301	(10000000-20000000)	Squeegee Kit, 650mm, Ci	1
▲	1 1221259	(10000000-20000000)	Frame, Sqge, 65cm, Mach [T500]	1
▲	2 59658	(10000000-20000000)	Screw, Hex, M8 X 1.25 X 35, NI, Ss	2
▲	3 222496	(10000000-20000000)	Sleeve, P/M, 0.32b 0.50d 0.9l [430ss]	2
▲	4 222066	(10000000-20000000)	Wheel, 03.0d 0.88w 0.50b	2
▲	5 07786	(10000000-20000000)	Nut, Hex, Std, M8 X 1.25, Ss	2
▲	6 1212755	(10000000-20000000)	Screw, Btn, M8 X 1.25 X 80, Ss	4
▲	7 1230581	(10000000-20000000)	Knob, Star, 2.75d 4ear, M8x1.25 Fem	4
▲	8 22290	(10000000-20000000)	Spring, Cmpr, 0.72od .06wir 02.3l	4
▲	9 32716	(10000000-20000000)	Nut, Hex, Jam, M10 X 1.5, Ss	2
▲	10 1034731	(10000000-20000000)	Screw, Hex, M6 X 1.00 X 16, Sems, Ss	8
▲	11 1222236	(10000000-20000000)	Bracket Wldt, Caster, Rh Sqge[T500]	1
▲	12 1006343	(10000000-20000000)	Caster, Swivel, 50mmd, M10 X 30, Clr PI	2
▲	13 1222001	(10000000-20000000)	Bracket Wldt, Caster, Lh Sqge [T500]	1
▲	14 12277	(10000000-20000000)	Screw, Hex, M6 X 1.00 X 20, NI, Ss	1
▲	15 01684	(10000000-20000000)	Washer, Flat, 0.27b 0.69d .05, Ss	1
▲	16 140060	(10000000-20000000)	Washer, Wave- Spring, .505 .750 .045	1
▲	17 140154	(10000000-20000000)	Sleeve, P/M, 0.25b 0.38d 0.3l, PI	1
▲	18 1222109	(10000000-20000000)	Knob, Sqge, 58l, M6 X 1.00, Plstc	1
▲	19 1209631	(10000000-20000000)	Cover, Trap, Water, Sqge	1
▲	20 1210756	(10000000-20000000)	Gasket, Trap, Water, Sqge	1
▲▽	21 9015734	(10000000-20000000)	Blade Kit, 650mm, Linatex/Linard (Standard)	1
▲▲	22 1221585	(10000000-20000000)	Blade, Sqge, Rear, 1166l, Linatex[650mm] (Standard)	1
▲▲	23 1232680	(10000000-20000000)	Blade, Sqge, Front, 1072l Linard[650mm] (Standard)	1
▲	24 1221260	(10000000-20000000)	Retainer, Sqge, 65cm [T500]	1
▲	25 1230738	(10000000-20000000)	Bracket, Sqge Bumper	2
▽	21 9015735	(10000000-20000000)	Blade Kit, 650mm, Urethane (Option)	1
▲	22 1228909	(10000000-20000000)	Blade, Sqge, Rear, 1136l,Urethane[650mm] (Option)	1
▲	23 1228915	(10000000-20000000)	Blade, Sqge, Front,1072l,Urethane[650mm] (Option)	1
▽	21 9015733	(10000000-20000000)	Blade Kit, 650mm, Gum (Option)	1
▲	22 1228910	(10000000-20000000)	Blade, Sqge, Rear, 1136l, Gum[650mm] (Option)	1
▲	23 1228919	(10000000-20000000)	Blade, Sqge, Front, 1072l Gum[650mm] (Option)	1

▽ ASSEMBLY

▲ INCLUDED IN ASSEMBLY

SQUEEGEE ASSEMBLY, 700MM / 28IN

355439



## SQUEEGEE ASSEMBLY, 700MM / 28IN

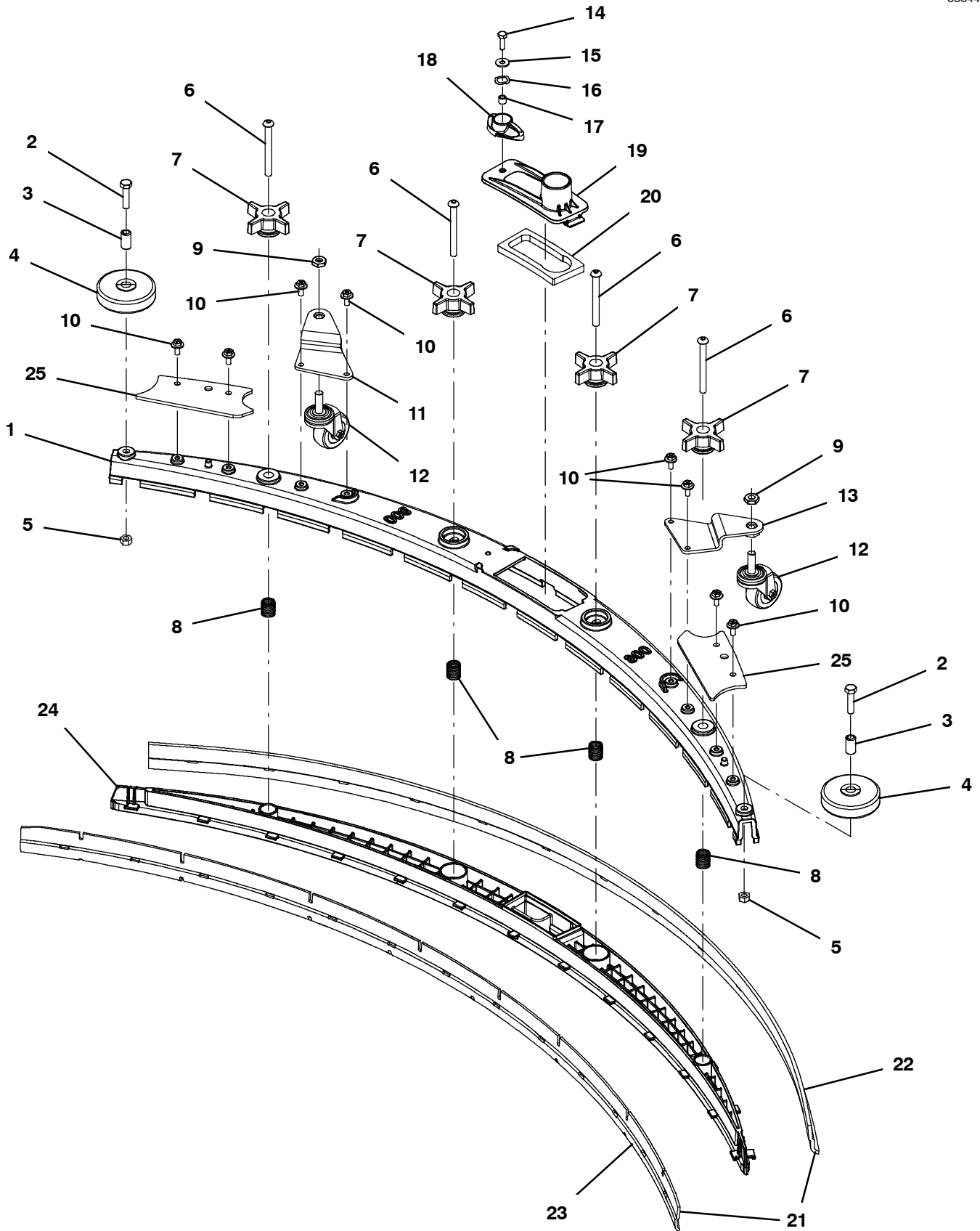
Ref.	Part No.	Serial Number	Description	Qty.
▽	9015302	(10000000- 20000000 )	Squeegee Kit, 700mm, Ci	1
▲	1 1220309	(10000000- 20000000 )	Frame, Sqge, 70cm, Mach [T500]	1
▲	2 59658	(10000000- 20000000 )	Screw, Hex, M8 X 1.25 X 35, NI, Ss	2
▲	3 222496	(10000000- 20000000 )	Sleeve, P/M, 0.32b 0.50d 0.9l [430ss]	2
▲	4 222066	(10000000- 20000000 )	Wheel, 03.0d 0.88w 0.50b	2
▲	5 07786	(10000000- 20000000 )	Nut, Hex, Std, M8 X 1.25, Ss	2
▲	6 1212755	(10000000- 20000000 )	Screw, Btn, M8 X 1.25 X 80, Ss	4
▲	7 1230581	(10000000- 20000000 )	Knob, Star, 2.75d 4ear, M8x1.25 Fem	4
▲	8 22290	(10000000- 20000000 )	Spring, Cmpr, 0.72od .06wir 02.3l	4
▲	9 32716	(10000000- 20000000 )	Nut, Hex, Jam, M10 X 1.5, Ss	2
▲	10 1034731	(10000000- 20000000 )	Screw, Hex, M6 X 1.00 X 16, Sems, Ss	8
▲	11 1222236	(10000000- 20000000 )	Bracket Wldt, Caster, Rh Sqge[T500]	1
▲	12 1006343	(10000000- 20000000 )	Caster, Swivel, 50mmd, M10 X 30, Clr PI	2
▲	13 1222001	(10000000- 20000000 )	Bracket Wldt, Caster, Lh Sqge [T500]	1
▲	14 12277	(10000000- 20000000 )	Screw, Hex, M6 X 1.00 X 20, NI, Ss	1
▲	15 01684	(10000000- 20000000 )	Washer, Flat, 0.27b 0.69d .05, Ss	1
▲	16 140060	(10000000- 20000000 )	Washer, Wave- Spring, .505 .750 .045	1
▲	17 140154	(10000000- 20000000 )	Sleeve, P/M, 0.25b 0.38d 0.3l, PI	1
▲	18 1222109	(10000000- 20000000 )	Knob, Sqge, 58l, M6 X 1.00, Plstc	1
▲	19 1209631	(10000000- 20000000 )	Cover, Trap, Water, Sqge	1
▲	20 1210756	(10000000- 20000000 )	Gasket, Trap, Water, Sqge	1
▲▽	21 9015737	(10000000- 20000000 )	Blade Kit, 700mm, Linatex/Linard (Standard)	1
▲▲	22 1221572	(10000000- 20000000 )	Blade, Sqge, Rear, 1204l, Linatex[700mm] (Standard)	1
▲▲	23 1232679	(10000000- 20000000 )	Blade, Sqge, Front, 1148l Linard[700mm] (Standard)	1
▲	24 1220783	(10000000- 20000000 )	Retainer, Sqge, 70cm [T500]	1
▲	25 1230738	(10000000- 20000000 )	Bracket, Sqge Bumper	2
▽	21 9015738	(10000000- 20000000 )	Blade Kit, 700mm, Urethane (Option)	1
▲	22 1228904	(10000000- 20000000 )	Blade, Sqge, Rear, 1204l,Urethane[700mm] (Option)	1
▲	23 1228906	(10000000- 20000000 )	Blade, Sqge, Front,1148l Urethane[700mm] (Option)	1
▽	21 9015736	(10000000- 20000000 )	Blade Kit, 700mm, Gum (Option)	1
▲	22 1228905	(10000000- 20000000 )	Blade, Sqge, Rear, 1204l, Gum[700mm] (Option)	1
▲	23 1228907	(10000000- 20000000 )	Blade, Sqge, Front, 1148l Gum[700mm] (Option)	1

▽ ASSEMBLY

▲ INCLUDED IN ASSEMBLY

SQUEEGEE ASSEMBLY, 800MM / 32IN

355440



## SQUEEGEE ASSEMBLY, 800MM / 32IN

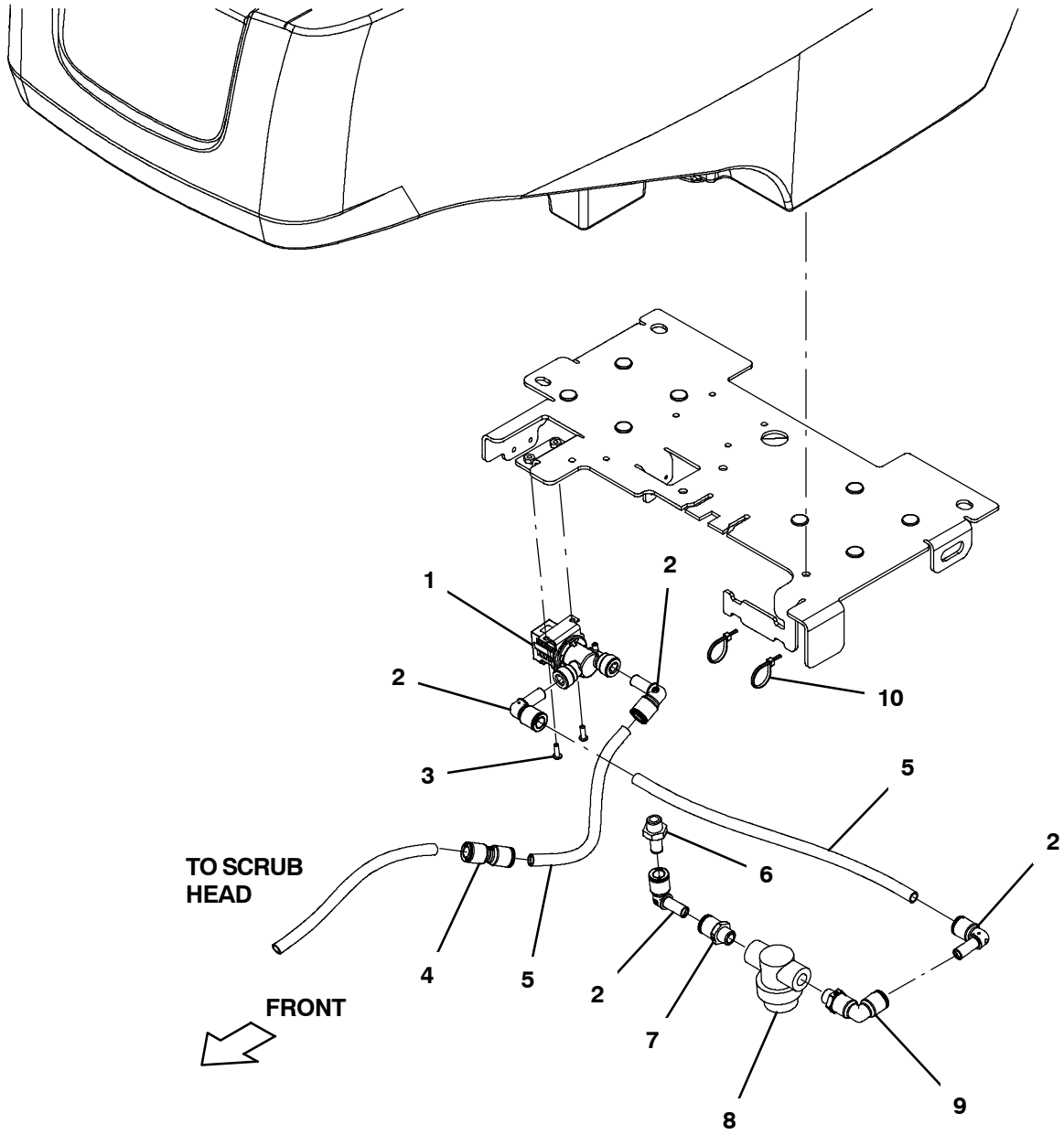
Ref.	Part No.	Serial Number	Description	Qty.
▽	9015303	(10000000-20000000)	Squeegee Kit, 800mm, Ci	1
▲	1 1219894	(10000000-20000000)	Frame, Sqge, 80cm, Mach [T500]	1
▲	2 59658	(10000000-20000000)	Screw, Hex, M8 X 1.25 X 35, NI, Ss	2
▲	3 222496	(10000000-20000000)	Sleeve, P/M, 0.32b 0.50d 0.9l [430ss]	2
▲	4 222066	(10000000-20000000)	Wheel, 03.0d 0.88w 0.50b	2
▲	5 07786	(10000000-20000000)	Nut, Hex, Std, M8 X 1.25, Ss	2
▲	6 1212755	(10000000-20000000)	Screw, Btn, M8 X 1.25 X 80, Ss	4
▲	7 1230581	(10000000-20000000)	Knob, Star, 2.75d 4ear, M8x1.25 Fem	4
▲	8 22290	(10000000-20000000)	Spring, Cmpr, 0.72od .06wir 02.3l	4
▲	9 32716	(10000000-20000000)	Nut, Hex, Jam, M10 X 1.5, Ss	2
▲	10 1034731	(10000000-20000000)	Screw, Hex, M6 X 1.00 X 16, Sems, Ss	8
▲	11 1222236	(10000000-20000000)	Bracket Wldt, Caster, Rh Sqge[T500]	1
▲	12 1006343	(10000000-20000000)	Caster, Swivel, 50mmd, M10 X 30, Clr PI	2
▲	13 1222001	(10000000-20000000)	Bracket Wldt, Caster, Lh Sqge [T500]	1
▲	14 12277	(10000000-20000000)	Screw, Hex, M6 X 1.00 X 20, NI, Ss	1
▲	15 01684	(10000000-20000000)	Washer, Flat, 0.27b 0.69d .05, Ss	1
▲	16 140060	(10000000-20000000)	Washer, Wave- Spring, .505 .750 .045	1
▲	17 140154	(10000000-20000000)	Sleeve, P/M, 0.25b 0.38d 0.3l, PI	1
▲	18 1222109	(10000000-20000000)	Knob, Sqge, 58l, M6 X 1.00, Plstc	1
▲	19 1209631	(10000000-20000000)	Cover, Trap, Water, Sqge	1
▲	20 1210756	(10000000-20000000)	Gasket, Trap, Water, Sqge	1
▲▽	21 9015740	(10000000-20000000)	Blade Kit, 800mm, Linatex/Linard (Standard)	1
▲▲	22 1221115	(10000000-20000000)	Blade, Sqge, Rear, 1306l, Linatex[800mm] (Standard)	1
▲▲	23 1232681	(10000000-20000000)	Blade, Sqge, Front, 1256l Linard[800mm] (Standard)	1
▲	24 1219405	(10000000-20000000)	Retainer, Sqge, 80cm [T500]	1
▲	25 1230738	(10000000-20000000)	Bracket, Sqge Bumper	2
▽	21 9015741	(10000000-20000000)	Blade Kit, 800mm, Urethane (Option)	1
▲	22 1228920	(10000000-20000000)	Blade, Sqge, Rear, 1306l,Urethane[800mm] (Option)	1
▲	23 1228922	(10000000-20000000)	Blade, Sqge, Front,1256l Urethane[800mm] (Option)	1
▽	21 9015739	(10000000-20000000)	Blade Kit, 800mm, Gum (Option)	1
▲	22 1228921	(10000000-20000000)	Blade, Sqge, Rear, 1306l, Gum[800mm] (Option)	1
▲	23 1228923	(10000000-20000000)	Blade, Sqge, Front, 1256l Gum[800mm] (Option)	1

▽ ASSEMBLY

▲ INCLUDED IN ASSEMBLY

STANDARD SOLUTION GROUP

355468





## STANDARD SOLUTION GROUP

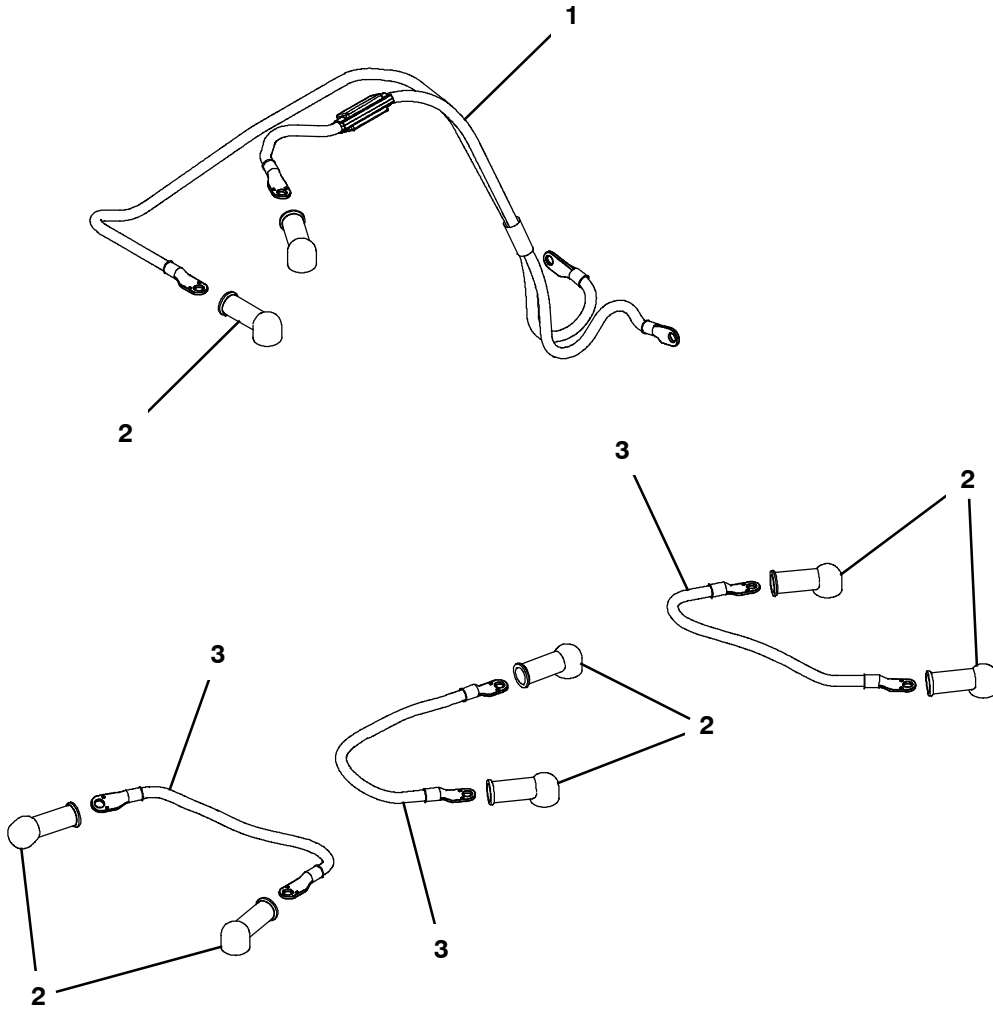
Ref.	Part No.	Serial Number	Description	Qty.
1	1211424	(10000000- 20000000 )	Valve, Water, Solenoid, 24vdc Qf08/Qf08	1
2	1212809	(10000000- 20000000 )	Fitting, Plstc, E90, Qf08/Qm08	4
3	1205799	(10000000- 20000000 )	Screw, Btn, M5 X 0.8 X 16, 8.8, NI, Torx	2
4	1212859	(10000000- 20000000 )	Fitting, Plstc, Str, Qf08/Qf08	1
5	9014145	(10000000- 20000000 )	Hose, Afmkt, Pe, .375id .50od, 05ft	1
6	1227552	(10000000- 20000000 )	Fitting, Plstc, Str, Qm08/Pm06	1
7	1212813	(10000000- 20000000 )	Fitting, Plstc, Str, Qf08/Pm06	1
▽	8	1211537	(10000000- 20000000 ) Filter, In- Line, Pf06/Pf06 080m 2.6l Epd	1
▲		1218885	(10000000- 20000000 ) Gasket [Epdm, F/1211537]	1
▲		1218883	(10000000- 20000000 ) Screen, Fltr, 80 Mesh, Ss [W/ Cage]	1
▲	613991	(10000000- 20000000 )	Bowl, Clr, Short, F/1005302	1
	9	1212987	(10000000- 20000000 ) Fitting, Plstc, E90, Qf08/Pm06, Swivel	1
	10	130773	(10000000- 20000000 ) Tie, Cable, Nyl, 11.0l, .14w, 3.0 Max. D	2

▽ ASSEMBLY

▲ INCLUDED IN ASSEMBLY

STANDARD BATTERY CABLES GROUP

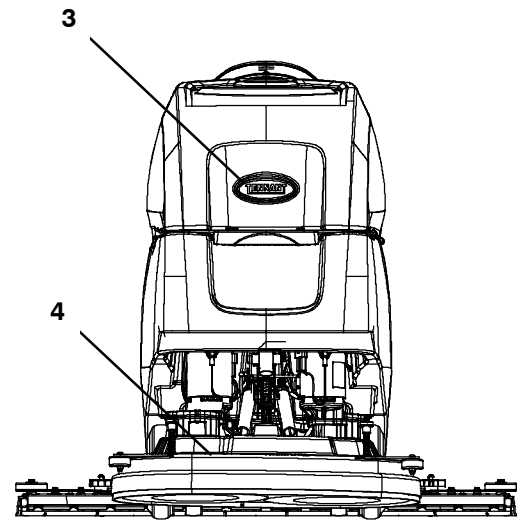
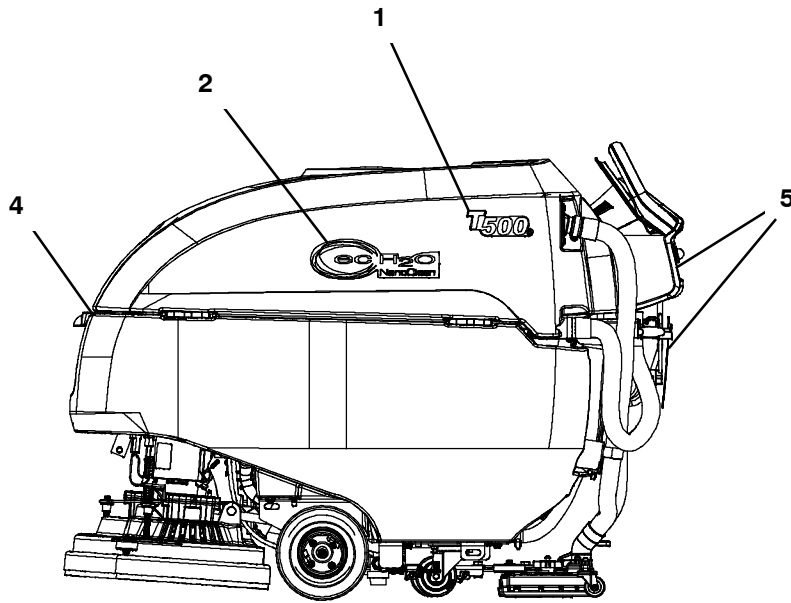
355463



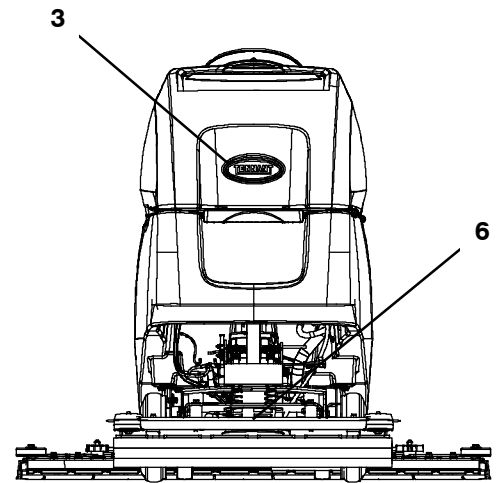
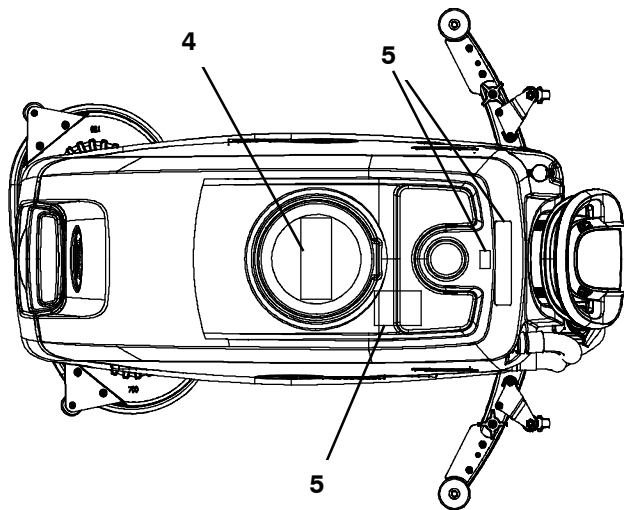
Ref.	Part No.	Serial Number	Description	Qty.
1	1074942	(10000000-20000000 )	Cable, Assy [T500,T500e]	1
2	611221	(10000000-20000000 )	Boot, Terminal, Battery, 25.4mm, Blk	8
3	1073680	(10000000-20000000 )	Cable, 04ga 15.0l Blk [M8 Ring/M8 Ring]	3

LABEL GROUP

355471



DISK & CYLINDRICAL HEAD



ORBITAL HEAD

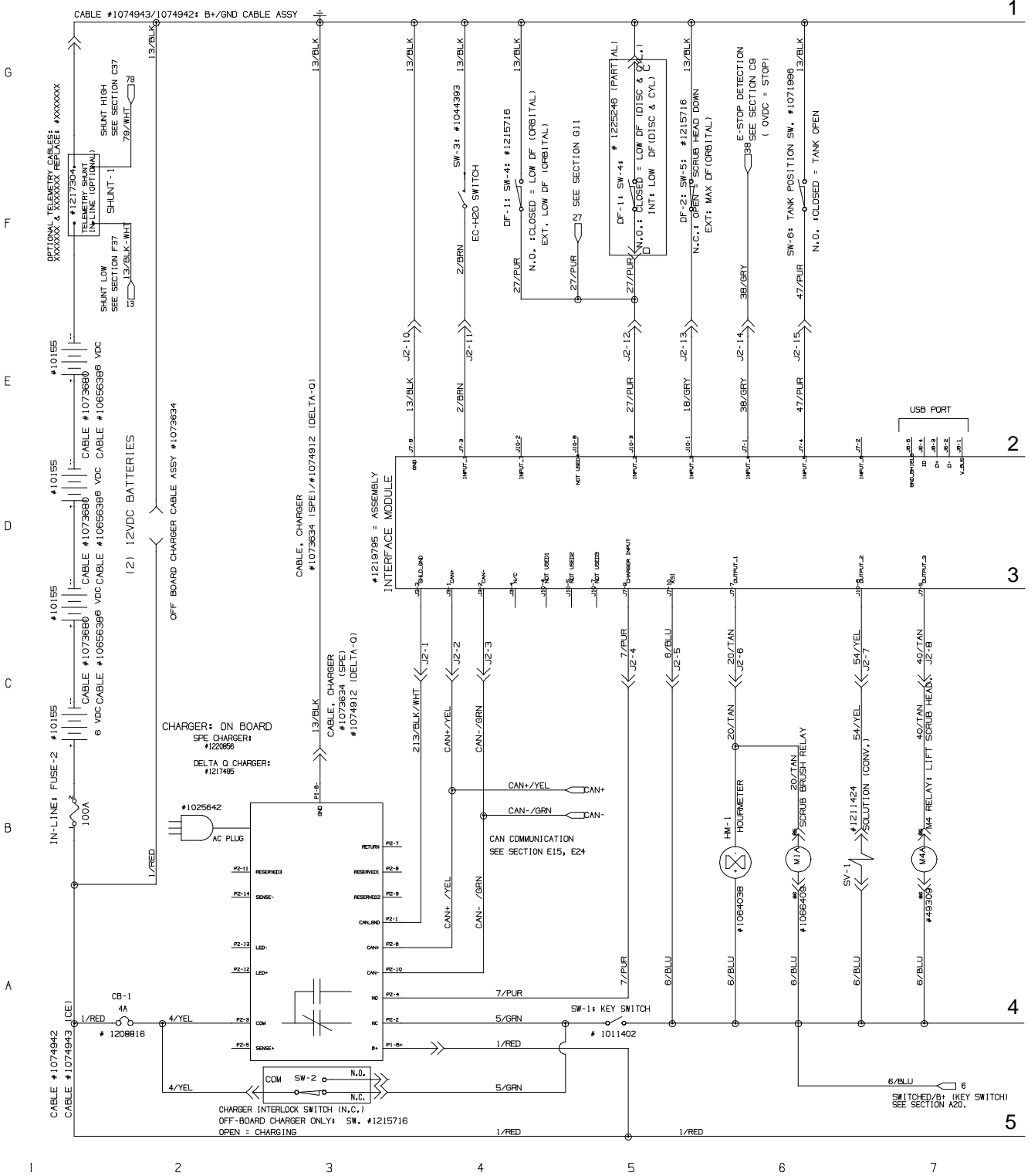
Ref.	Part No.	Serial Number	Description	Qty.
1	1224984	(10000000- 20000000 )	Label, T500e	2
2	1216520	(10000000- 20000000 )	Label, Logo [Ech2o Nano]	2
3	1213114	(10000000- 20000000 )	Label, Logo, 05.5l, Blk/Sil [Tennant]	1
4	1220962	(10000000- 20000000 )	Label Sheet, Info/Hzrd [T500, Na]	1
5	1220965	(10000000- 20000000 )	Label Sheet, Operational [T500]	1
6	1224995	(10000000- 20000000 )	Label, Orbital, Size, 70cm	1

ELECTRICAL DIAGRAM (PAGE 1 OF 4)

1075167\_00

BATTERY /  
CHARGER  
SYSTEMS

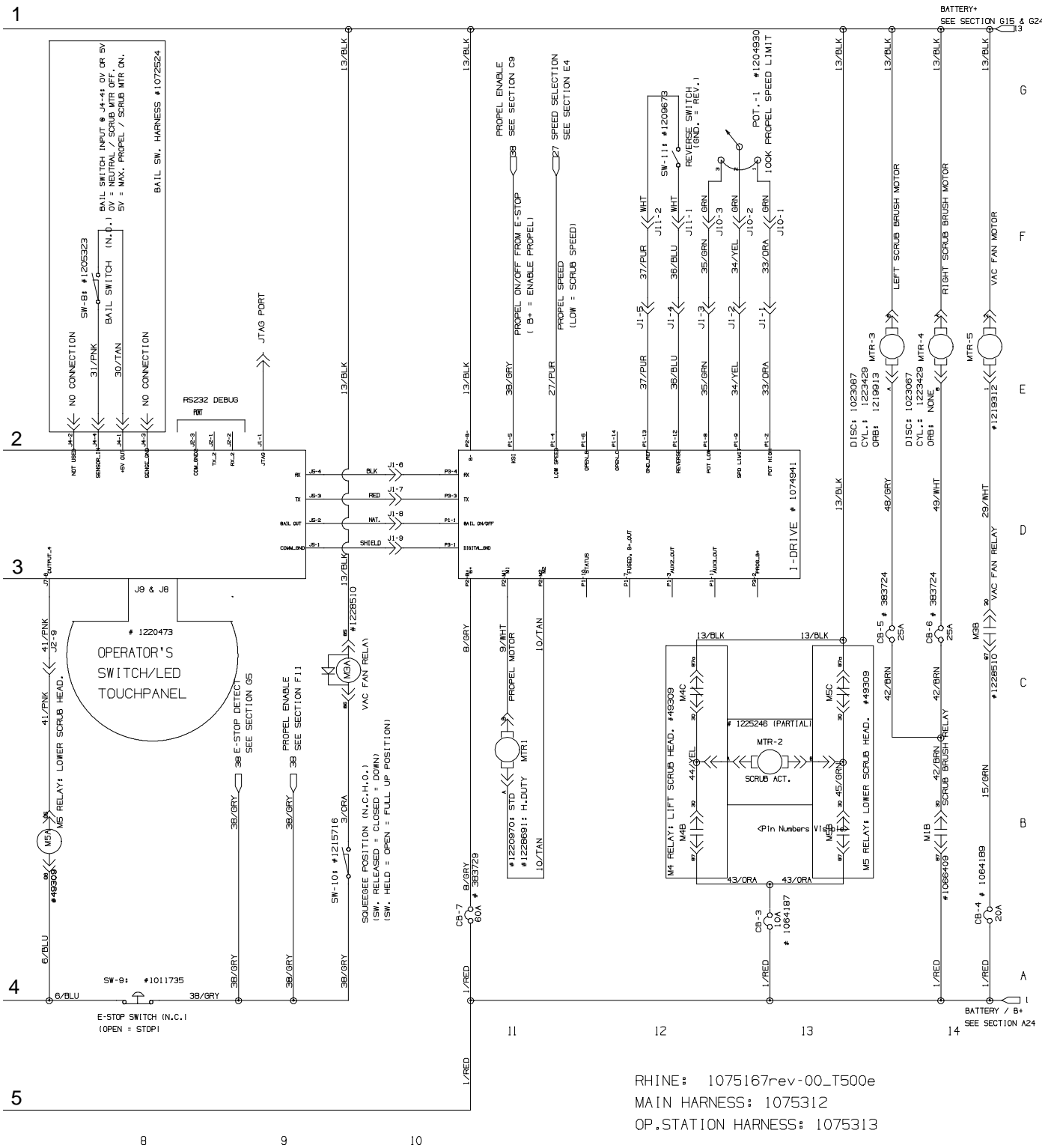
BASE CONTROL  
MODULE



ELECTRICAL DIAGRAM (PAGE 2 OF 4)

1075167\_00

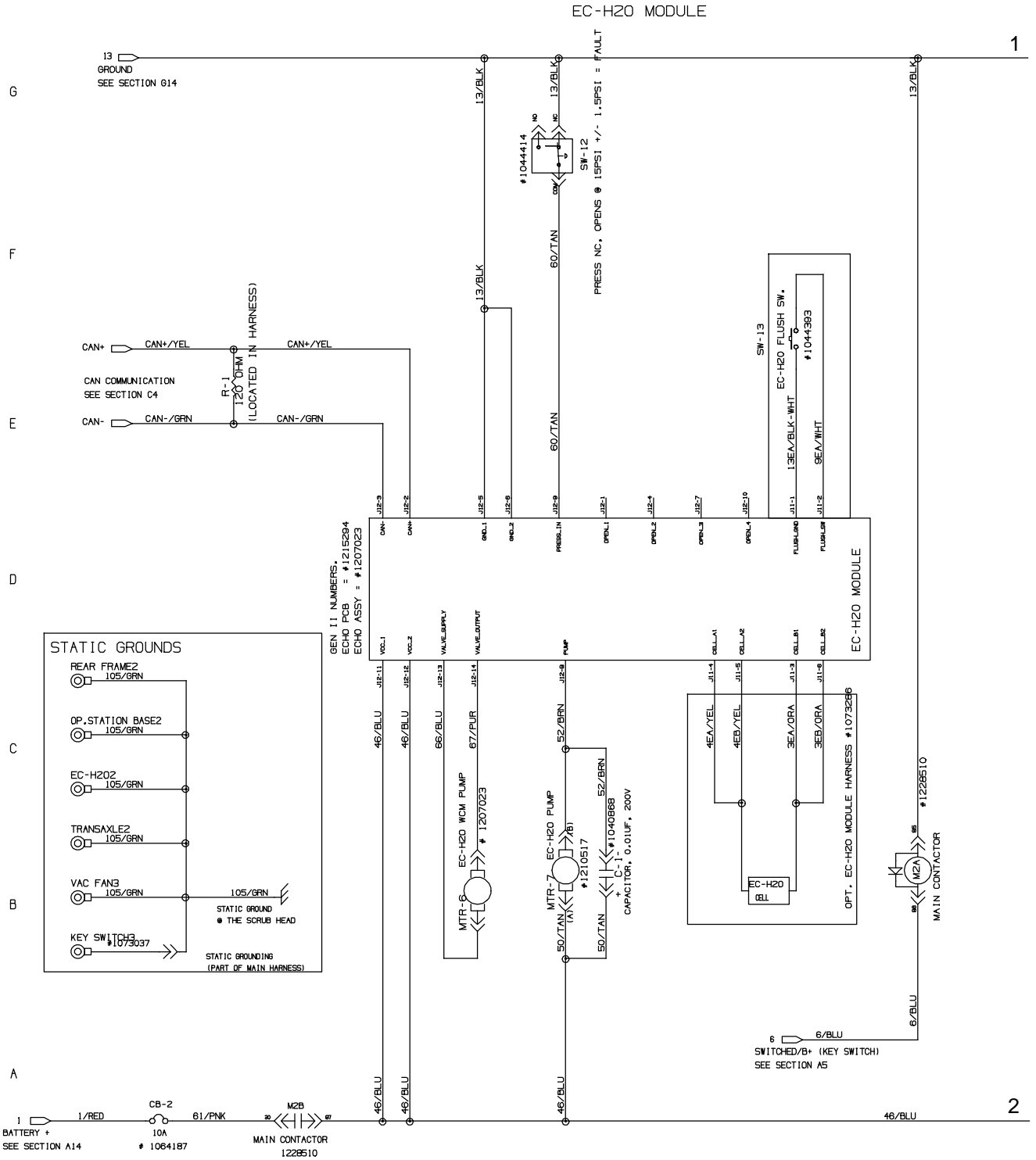
PROPEL SYSTEM



RHINE: 1075167rev-00\_T500e  
 MAIN HARNESS: 1075312  
 OP.STATION HARNESS: 1075313

ELECTRICAL DIAGRAM (PAGE 3 OF 4)

1075167\_00



15

16

17

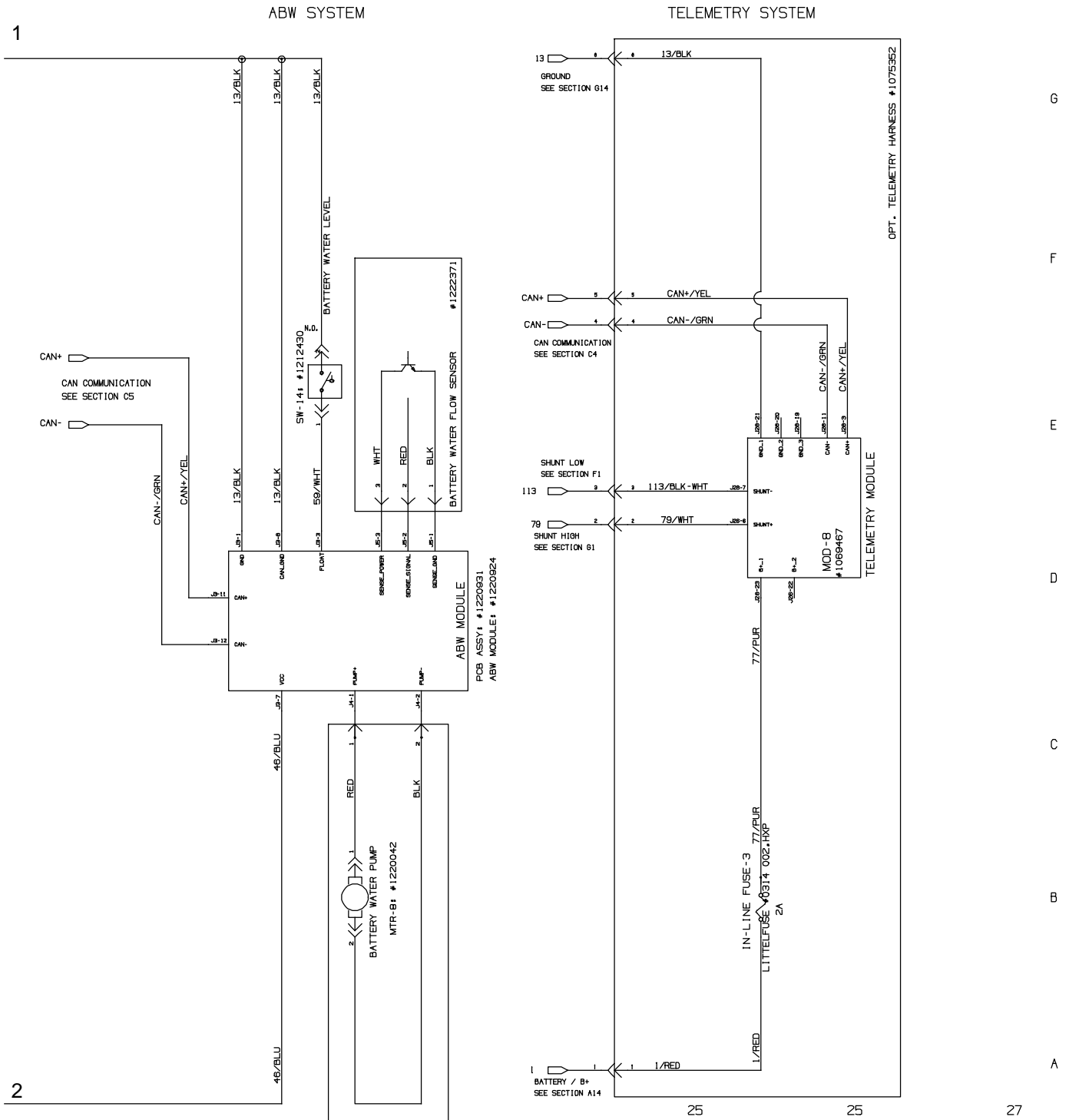
18

19

20

ELECTRICAL DIAGRAM (PAGE 4 OF 4)

1075167\_00



RHINE: 1075167rev-00\_T500e  
 MAIN HARNESS: 1075312  
 OP.STATION HARNESS: 1075313

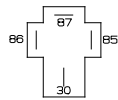
21 22 23 24

ELECTRICAL HARNESS, MAIN (PAGE 1 OF 6)

1075312\_00

TO: M2: MAIN RELAY		TO: M3: VAC FAN RELAY	
WIRE NO.	REF. RELAY	WIRE NO.	REF. RELAY
61/PNK	30	29/WHT	30
13H/BLK	85	13J/BLK	85
46/BLU	87	15/GRN	87
6H/BLU	86	3/ORA	86

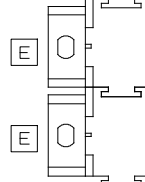
BACK VIEW OF "AP".  
WHERE WIRES ENTER.



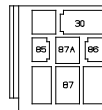
WIRE NO.	REF. RELAY
44/YEL	30
40/TAN	85
13E/BLK	87A
43A/ORA	87
6E/BLU	86

WIRE NO.	REF. RELAY
45/GRN	30
41/PNK	85
13F/BLK	87A
43B/ORA	87
6F/BLU	86

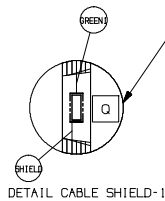
TO: M4: SCRUB HEAD ACT.  
LABEL(1): M4: SCRUB HEAD ACT.



TO: M5: SCRUB HEAD ACT.  
LABEL(1): M5: SCRUB HEAD ACT.

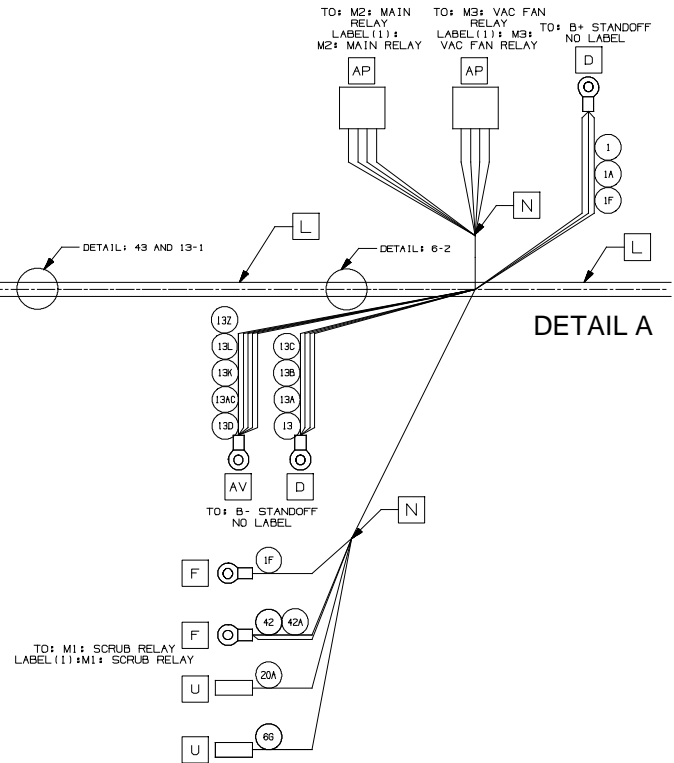


BACK VIEW OF "E".  
WHERE WIRES ENTER.



- NOTE:
- REMOVE CABLE COVERING ABOVE THIS POINT.
  - SPLICE SHIELD TO THE SHIELD/GREEN WIRE.
  - ROUTE THE (4) WIRES UP TO THE SPECIFIED CONNECTORS.
  - COVER THE EXPOSED END OF THE CABLE COVER WITH DEFINED HEATSHRINK.

DETAIL CABLE SHIELD-1

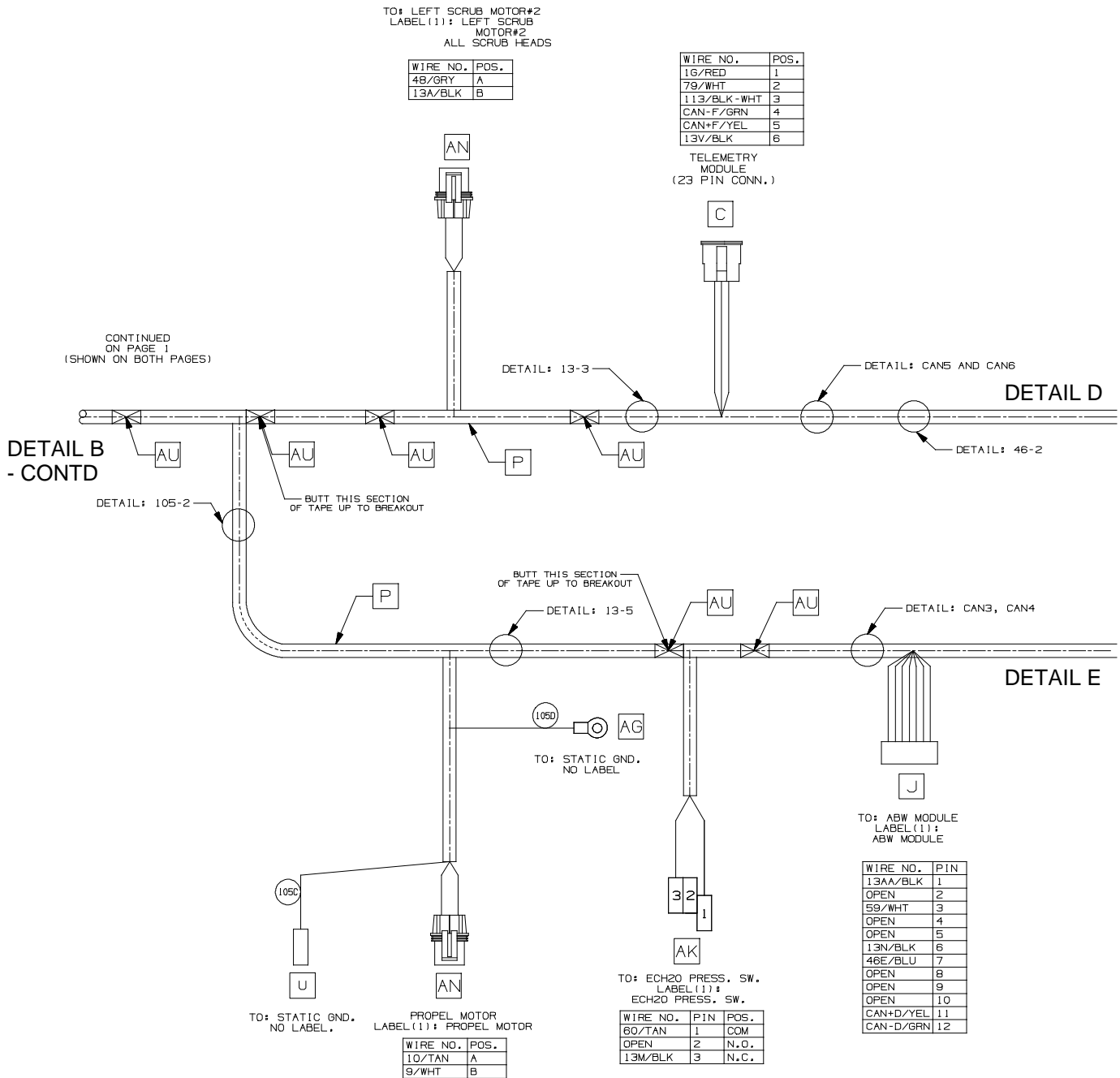






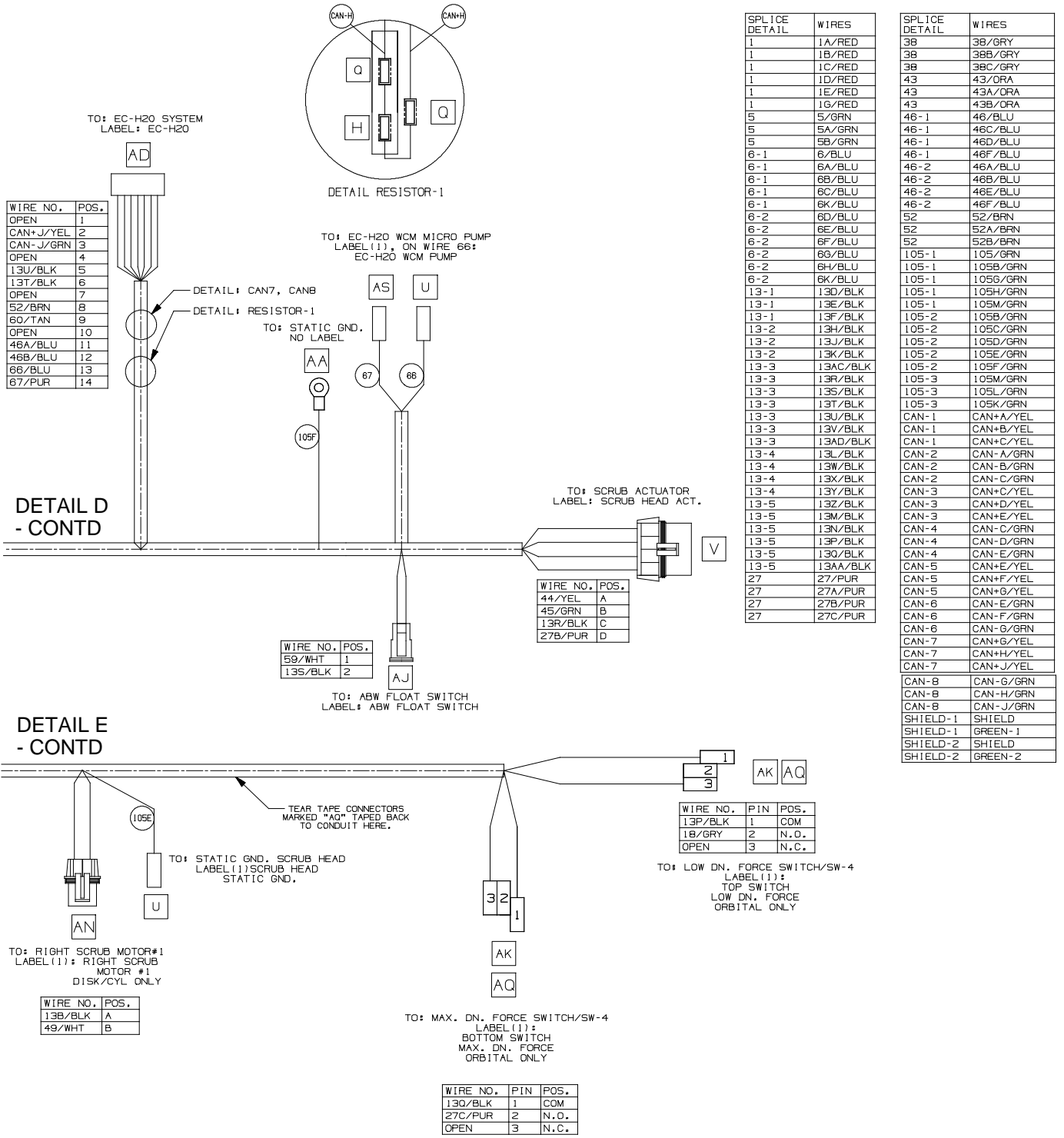
ELECTRICAL HARNESS, MAIN (PAGE 3 OF 6)

10745312\_00



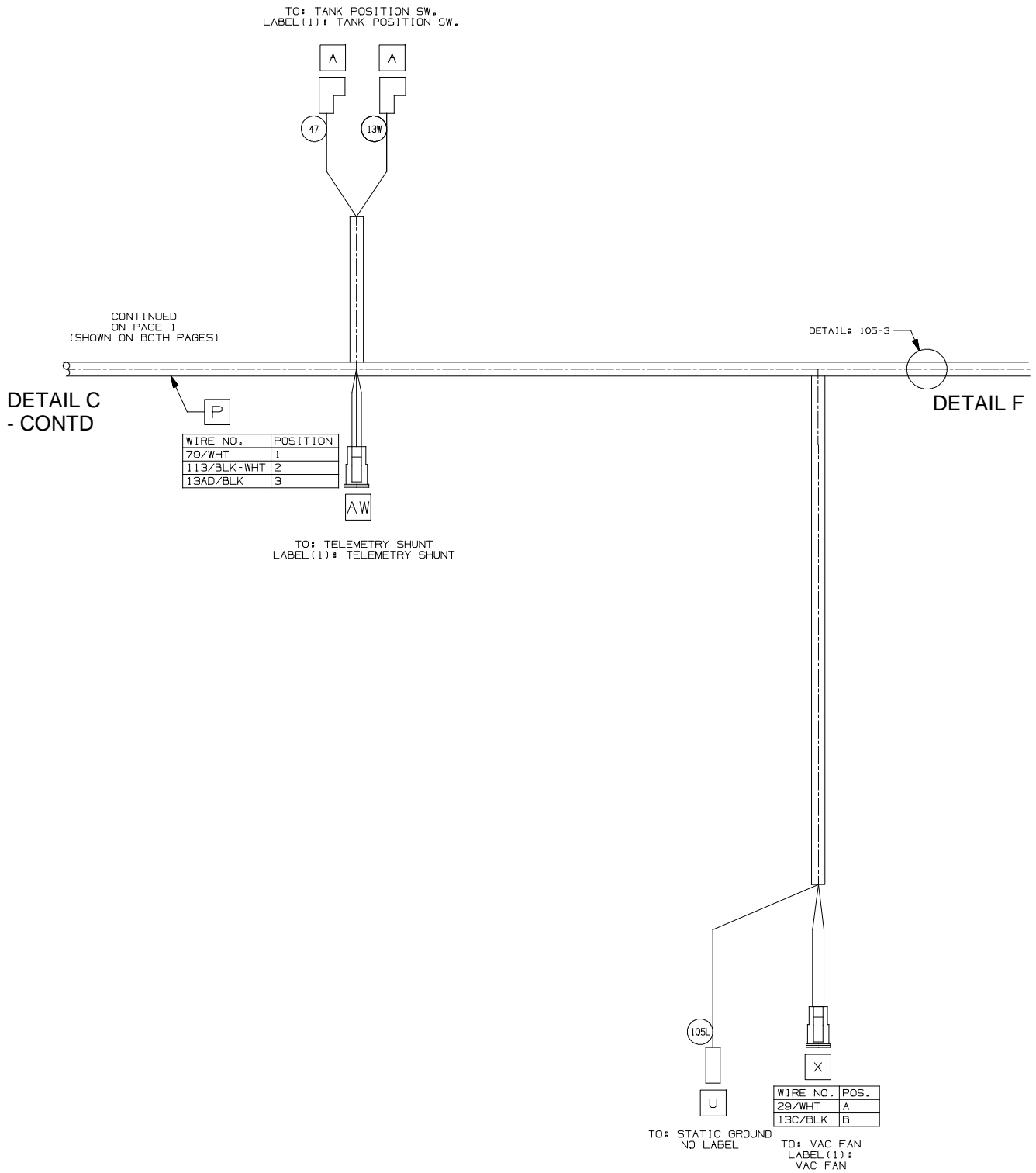
ELECTRICAL HARNESS, MAIN (PAGE 4 OF 6)

1075312\_00



ELECTRICAL HARNESS, MAIN (PAGE 5 OF 6)

1075312\_00

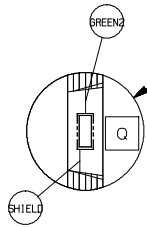


ELECTRICAL HARNESS, MAIN (PAGE 6 OF 6)

1075312\_00

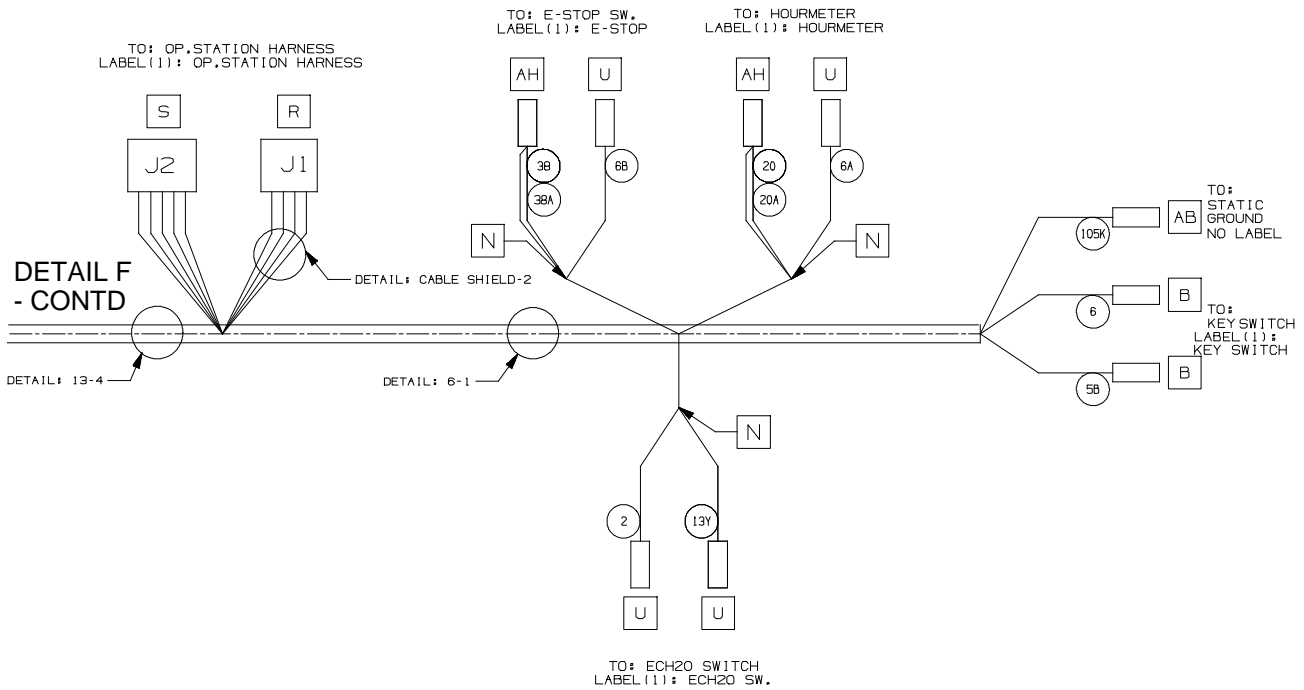
WIRE NO.	POS.
213/BLK-WHT	1
CAN+A/YEL	2
CAN-A/GRN	3
7/PUR	4
6C/BLU	5
20/TAN	6
54/YEL	7
40/TAN	8
41/PNK	9
13X/BLK	10
2/BRN	11
27/PUR	12
1B/GRY	13
38A/GRY	14
47/PUR	15

WIRE NO.	POS.
33/ORA	1
34/YEL	2
35/GRN	3
36/BLU	4
37/PUR	5
CABLE:BLACK	6
CABLE:RED	7
CABLE:NATURAL	8
SHIELD2:GREEN2	9



NOTE:  
 - REMOVE CABLE COVERING ABOVE THIS POINT.  
 - SPLICE SHIELD TO THE SHIELD1/GREEN WIRE.  
 - ROUTE THE (4) WIRES UP TO THE SPECIFIED CONNECTORS.  
 - COVER THE EXPOSED END OF THE CABLE COVER WITH DEFINED HEATSHRINK.

DETAIL CABLE SHIELD-2



	Part No.	Serial Number	Description	Qty.
▽	1075312	(10000000- 20000000 )	Harness, Main, Ele [T500e]	1
▲	49309	(10000000- 20000000 )	Relay, 24vdc, 015a, Spdt No	2

▽ ASSEMBLY

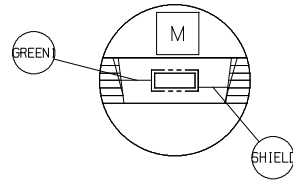
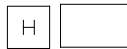
▲ INCLUDED IN ASSEMBLY

## ELECTRICAL HARNESS, OPERATOR STATION

1075313\_00

TO: REVERSE SWITCH  
 LABEL: REV. SW.

WIRE NO.	POS.
36/BLU	1
37/PUR	2



DETAIL CABLE SHIELD-1

TO: SPEED POTENTIOMETER  
 LABEL: SPEED POT.

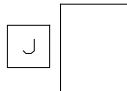
WIRE NO.	POS.
33/ORA	1
34/YEL	2
35/GRN	3



TO: USER INTERFACE MODULE  
 NO LABELS

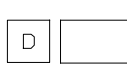
WIRE NO.	POS.
38/GRY	1
OPEN	2
2/BRN	3
47/PUR	4
40/TAN	5
41/PNK	6
20/TAN	7
13/BLK	8
7/PUR	9
6/BLU	10

CONN. J7



CONN. J5

WIRE NO.	POS.
SHIELD1/ GREEN	1
CABLE: NATURAL	2
CABLE: RED	3
CABLE: BLACK	4



DETAIL: SHIELD-1  
 (LOCATED WITHIN 75MM OF CONNECTOR "D".)

CONN. J3

WIRE NO.	POS.
CAN+/YEL	1
CAN-/GRN	2
113/BLK-WHT	3
OPEN	4



CONN. J10

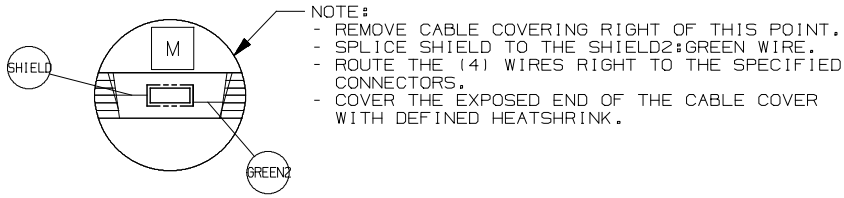
WIRE NO.	POS.
18/GRY	1
OPEN	2
27/PUR	3
OPEN	4
OPEN	5
54/YEL	6
OPEN	7
OPEN	8



DETAIL A

ELECTRICAL HARNESS, OPERATOR STATION

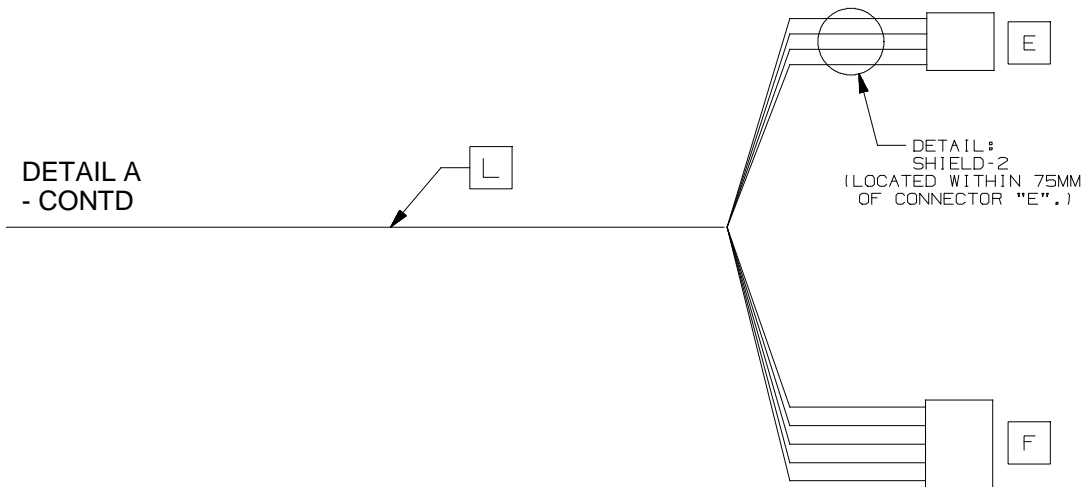
1075313\_00



DETAIL CABLE SHIELD-2

TO: MAIN HARNESS  
NO LABEL

WIRE NO.	POS.
33/ORA	1
34/YEL	2
35/GRN	3
36/BLU	4
37/PUR	5
CABLE:BLK	6
CABLE:RED	7
CABLE:NATURAL	8
SHIELD2:GREEN	9



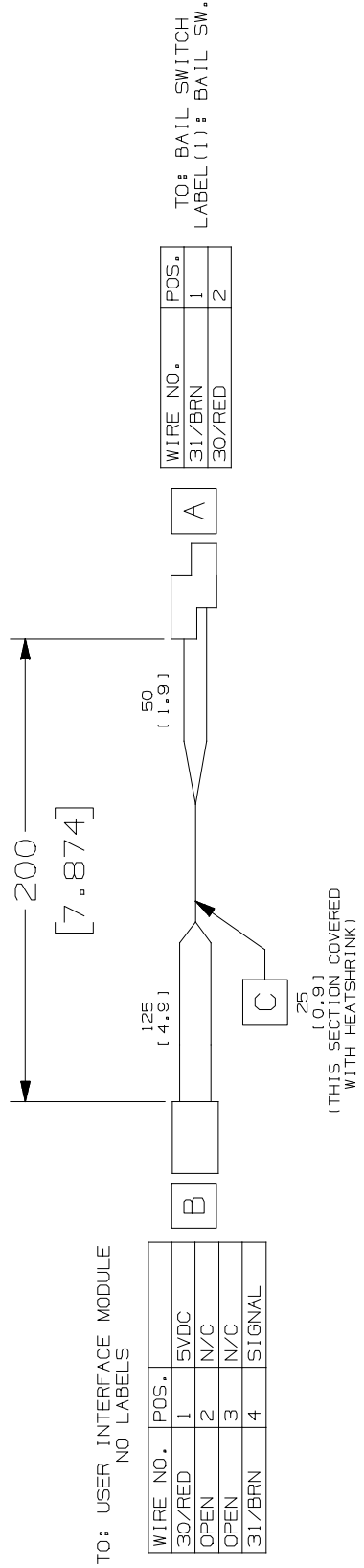
TO: MAIN HARNESS.  
NO LABEL

WIRE NO.	POS.
113/BLK-WHT	1
CAN+/YEL	2
CAN-/GRN	3
7/PUR	4
6/BLU	5
20/TAN	6
54/YEL	7
40/TAN	8
41/PNK	9
13/BLK	10
2/BRN	11
27/PUR	12
18/GRY	13
38/GRY	14
47/PUR	15

Part No.	Serial Number	Description	Qty.
1075313	(10000000- 20000000 )	Harness, Ele [Op. Station, T500e]	1

ELECTRICAL HARNESS, BAIL SWITCH

1072524\_00

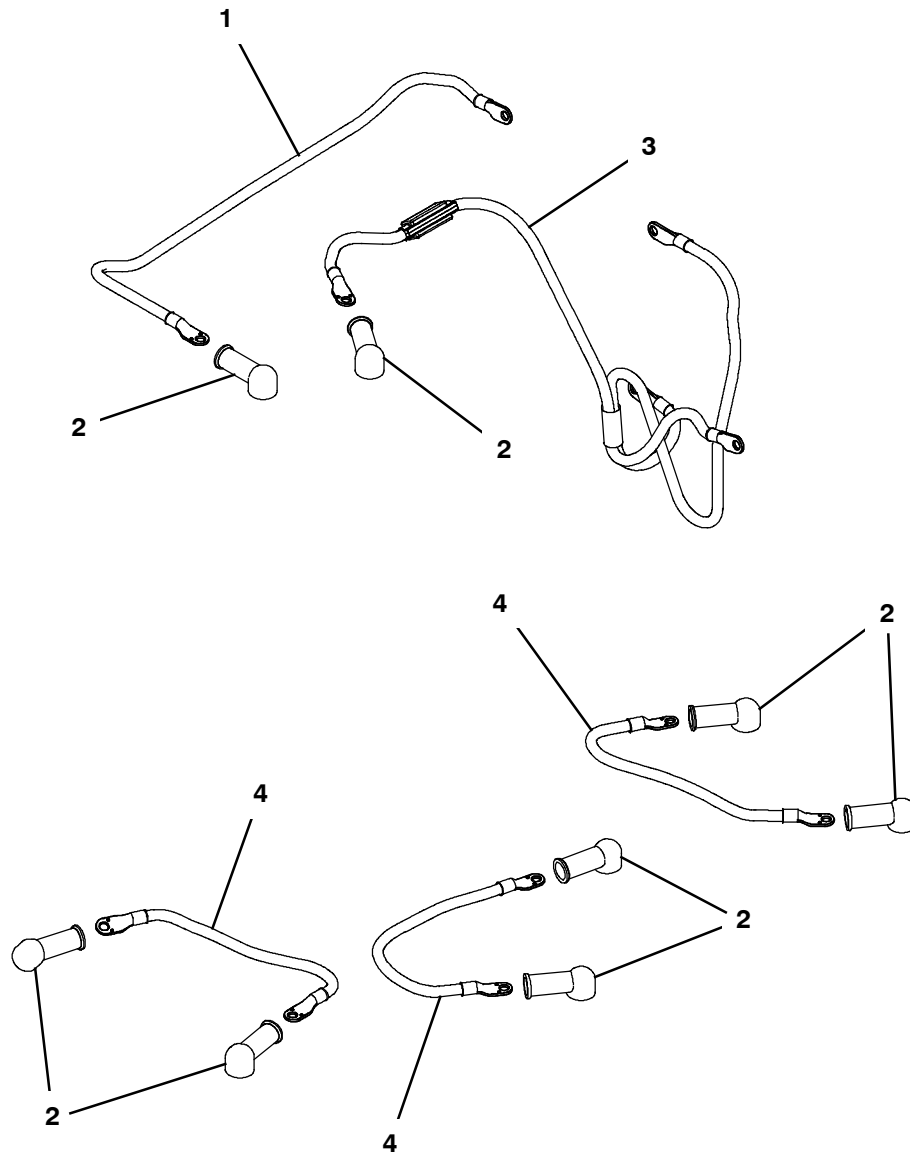


Part No.	Serial Number	Description	Qty.
1072524	(10000000-20000000 )	Harness, Ele [Bail Switch]	1



TELEMETRY BATTERY CABLES GROUP

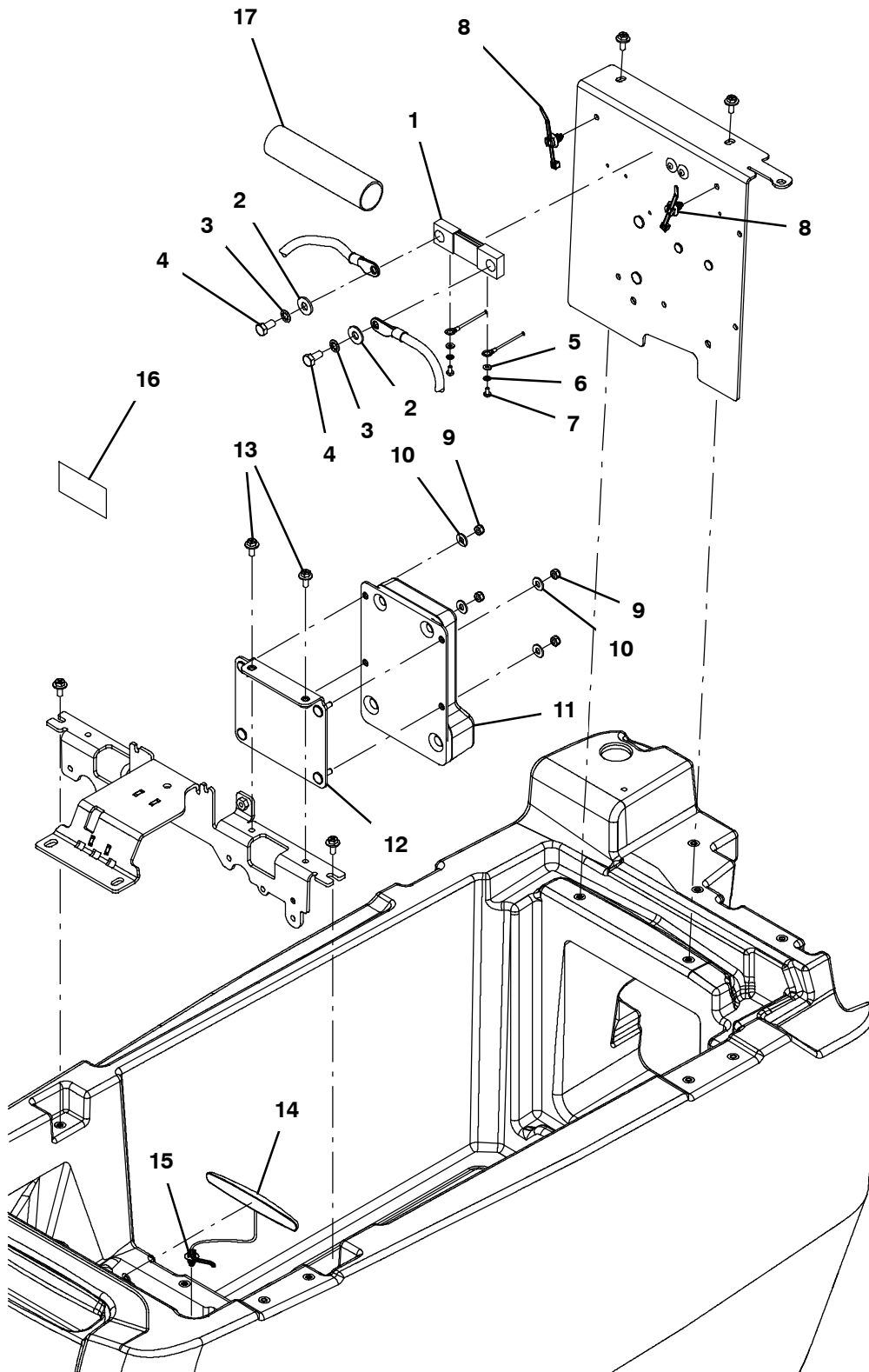
355464



Ref.	Part No.	Serial Number	Description	Qty.
1	1070498	(10000000- 20000000 )	Cable, 4ga, Blk [6200e, Telemetry]	1
2	611221	(10000000- 20000000 )	Boot, Terminal, Battery, 25.4mm, Blk	8
3	1074942	(10000000- 20000000 )	Cable, Assy [T500,T500e]	1
4	1073680	(10000000- 20000000 )	Cable, 04ga 15.0l Blk [M8 Ring/M8 Ring]	3

TELEMETRY ELECTRICAL GROUP

355466

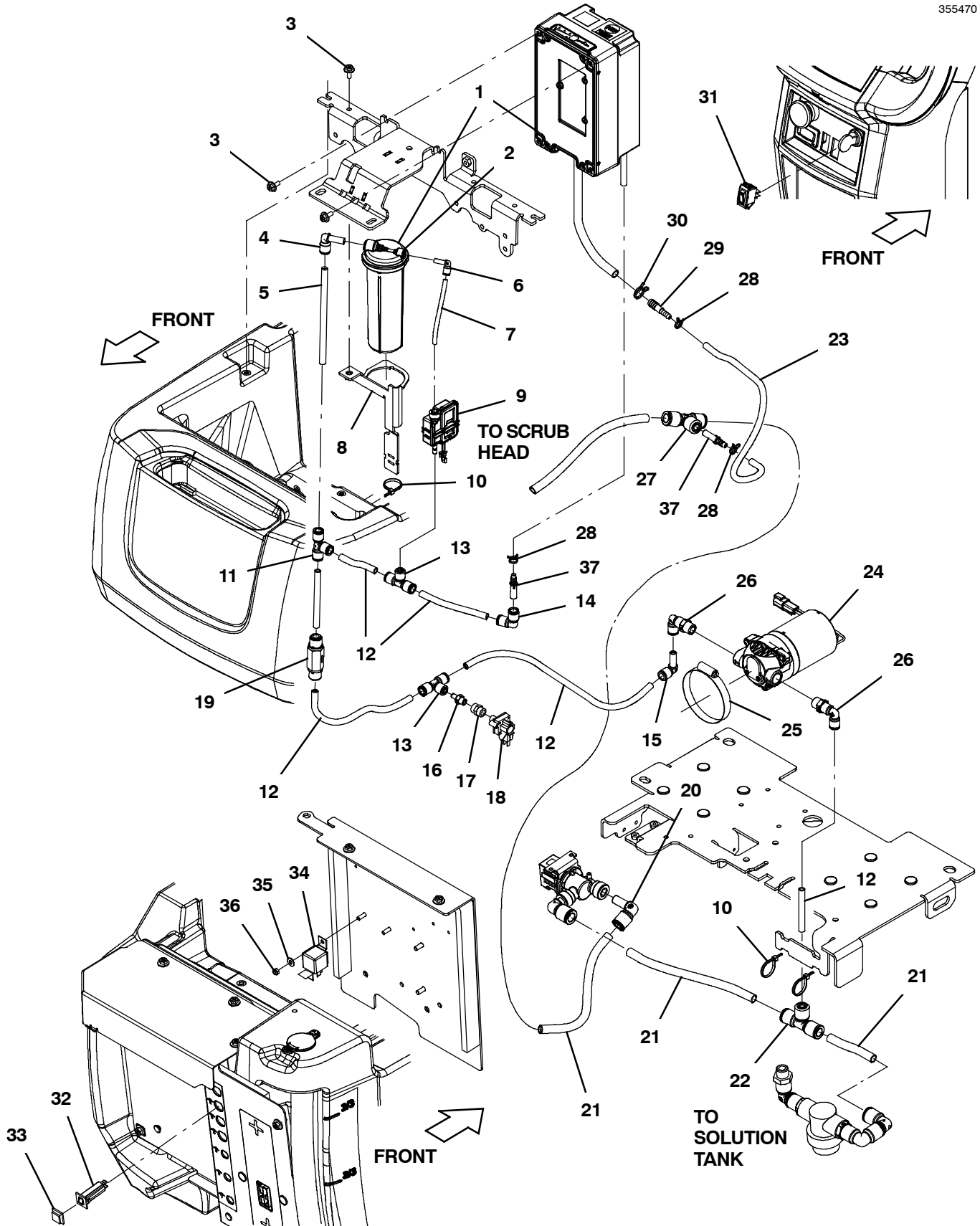


TELEMETRY ELECTRICAL GROUP

Ref.	Part No.	Serial Number	Description	Qty.
1	1217304	(10000000- 20000000 )	Shunt [Empro, 250amp/50mv, Metric]	1
2	01685	(10000000- 20000000 )	Washer, Flat, 0.38b 0.88d .08, Ss	2
3	43952	(10000000- 20000000 )	Washer, Lock, Int, 0.31, Ss	2
4	15675	(10000000- 20000000 )	Screw, Hex, M8 X 1.25 X 16, Ss	2
5	41578	(10000000- 20000000 )	Washer, Flat, 06, Ss	2
6	02938	(10000000- 20000000 )	Washer, Lock, Int, 08, Ss	2
7	391403	(10000000- 20000000 )	Screw, Pan, Phl, M4 X 0.70 X 8, Ss	2
8	1210807	(10000000- 20000000 )	Wire, Tie [W/.25" Fir Tree Clip]	2
9	08712	(10000000- 20000000 )	Nut, Hex, Lock, M6 X 1.00, NI, Ss	4
10	32483	(10000000- 20000000 )	Washer, Flat, 0.25, Sae	4
11	9010085	(10000000- 20000000 )	Control Box Assy Kit, Replmt, Telem[Usa]	1
12	1225123	(10000000- 20000000 )	Bracket Wldt, Control Box	1
13	1034731	(10000000- 20000000 )	Screw, Hex, M6 X 1.00 X 16, Sems, Ss	2
14	315724	(10000000- 20000000 )	Antenna, Telem, 18.0 In [Gprs]	1
15	1210807	(10000000- 20000000 )	Wire, Tie [W/.25" Fir Tree Clip]	1
16	1069580	(10000000- 20000000 )	Label, Mach, Telem [Usa, Intl]	1
17	1217818	(10000000- 20000000 )	Sleeve, Heatshrink, 1.50id, 07.0l	1

ec-H2O SOLUTION GROUP

355470



ec-H2O SOLUTION GROUP

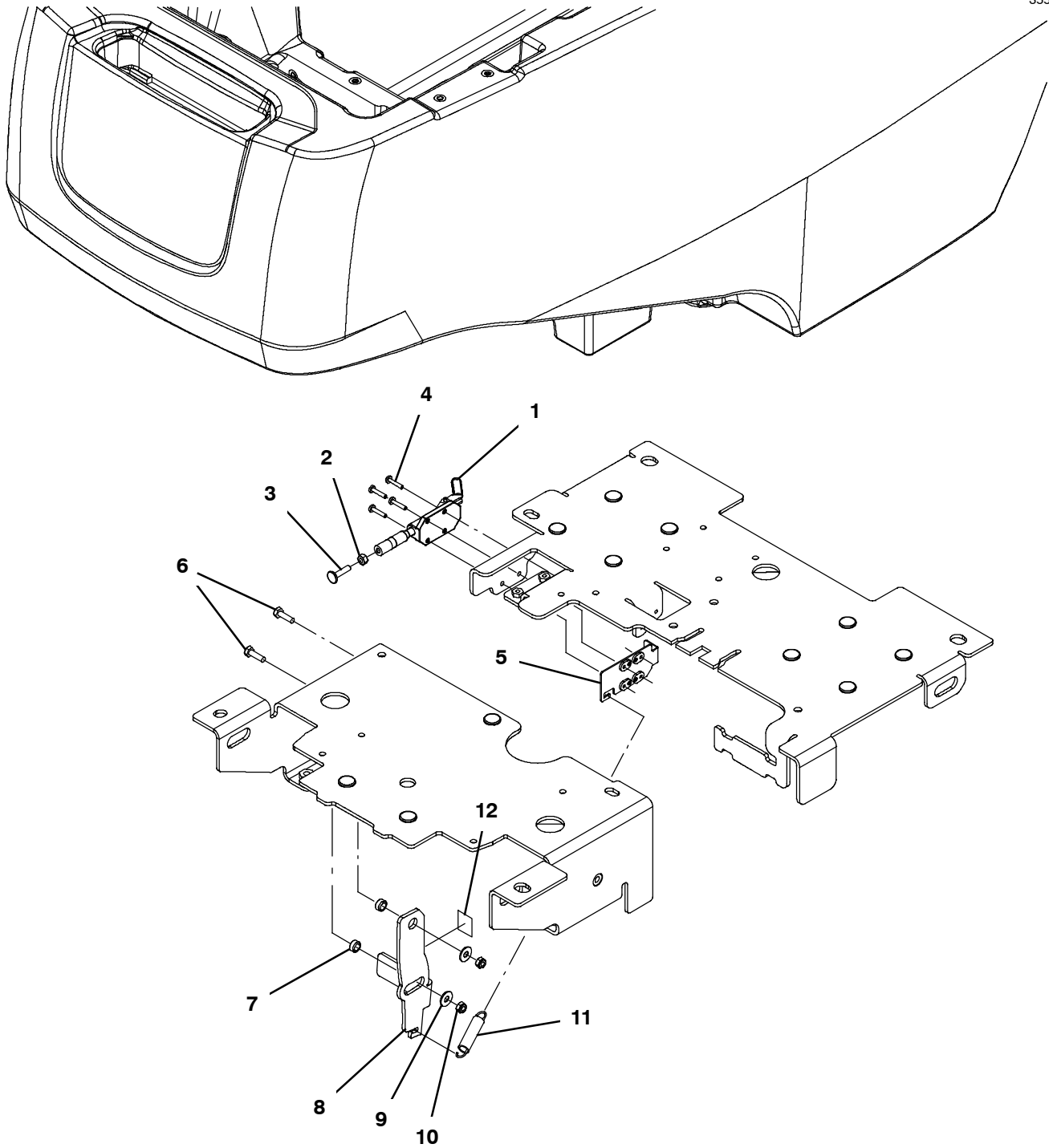
	Ref.	Part No.	Serial Number	Description	Qty.
▽	1	9011810	(10000000- 20000000 )	Module Kit, Replmt [Ec- H2o, B 02] (See Breakdowns)	1
▲	2	9013646	(10000000- 20000000 )	Cartridge, Ec- H2o Nanoclean Wcm, 270ml	1
	3	1034731	(10000000- 20000000 )	Screw, Hex, M6 X 1.00 X 16, Sems, Ss	4
	4	1215186	(10000000- 20000000 )	Fitting, Plstc, E90, Qf06/Qm06	1
	5	9014146	(10000000- 20000000 )	Hose, Afmkt, Pvc, 0.06id .38od, 05ft	1
	6	1214339	(10000000- 20000000 )	Fitting, Plstc, E90, Qfo4/Qm04	1
	7	9014147	(10000000- 20000000 )	Hose, Afmkt, Pvc, 0.06id .25od, 05ft	1
	8	1221926	(10000000- 20000000 )	Bracket Wldt, Mtg, Ec- H20 [T500]	1
	9	1216973	(10000000- 20000000 )	Pump Assy, Dispenser	1
	10	130773	(10000000- 20000000 )	Tie, Cable, Nyl, 11.0l, .14w, 3.0 Max. D	3
	11	1212573	(10000000- 20000000 )	Fitting, Plstc, Tee, Qf06/Qf06/Qf06	1
	12	9014148	(10000000- 20000000 )	Hose, Afmkt, Nat, 0.25id 0.375od, 06ft	1
	13	1212855	(10000000- 20000000 )	Fitting, Plstc, Tee, Qf04/Qf06/Qf06	2
	14	1212856	(10000000- 20000000 )	Fitting, Plstc, E90, Qf06/Qf06	1
	15	1215186	(10000000- 20000000 )	Fitting, Plstc, E90, Qf06/Qm06	1
	16	1216185	(10000000- 20000000 )	Fitting, Plstc, Str, Qm04/Pm02	1
	17	150307	(10000000- 20000000 )	Fitting, Brs, Cplg, Pf02/Pf02	1
	18	1044414	(10000000- 20000000 )	Switch, Press, 15psi, Pm02	1
	19	1215527	(10000000- 20000000 )	Valve, Check, 1.0 Psi Qf06/Qf06	1
	20	1212809	(10000000- 20000000 )	Fitting, Plstc, E90, Qf08/Qm08	1
	21	9014145	(10000000- 20000000 )	Hose, Afmkt, Pe, .375id .50od, 05ft	1
	22	1212875	(10000000- 20000000 )	Fitting, Plstc, Tee, Qf06/Qf08/Qf08	1
	23	1014985	(10000000- 20000000 )	Hose, Afmkt, Pvc, Clr, 0.25id, 08ft	1
	24	1210517	(10000000- 20000000 )	Pump, Soltn, Ele, 24vdc, 35 Psi	1
	25	43555	(10000000- 20000000 )	Clamp, Hose, Wormdrive, 2.62- 3.50d	1
	26	1212812	(10000000- 20000000 )	Fitting, Plstc, E90, Qf06/Pm06, Swivel	2
	27	1212875	(10000000- 20000000 )	Fitting, Plstc, Tee, Qf06/Qf08/Qf08	1
	28	613735	(10000000- 20000000 )	Clamp, Hose, Wir, .40 - .42, Yel	3
	29	1039557	(10000000- 20000000 )	Fitting, Plstc, Str, Bm04/Bm06	1
	30	607775	(10000000- 20000000 )	Clamp, Hose, Wir, .63 - .66, Blk	1
	31	1044393	(10000000- 20000000 )	Switch, Rocker, Spst, Mom	1
	32	1064187	(10000000- 20000000 )	Circuitbreaker, 10.0a, Resetable	1
	33	1064191	(10000000- 20000000 )	Boot, Circuitbreaker	1
	34	1228510	(10000000- 20000000 )	Relay, 24vdc, 80a, Spst No, Plug- In	1
	35	01683	(10000000- 20000000 )	Washer, Flat, 10, Ss	1
	36	09739	(10000000- 20000000 )	Nut, Hex, Lock, M5 X 0.80, NI, Ss	1
	37	1212857	(10000000- 20000000 )	Fitting, Plstc, Str, Qm06/Bm04	2

▽ ASSEMBLY

▲ INCLUDED IN ASSEMBLY

PARKING BRAKE GROUP

355496

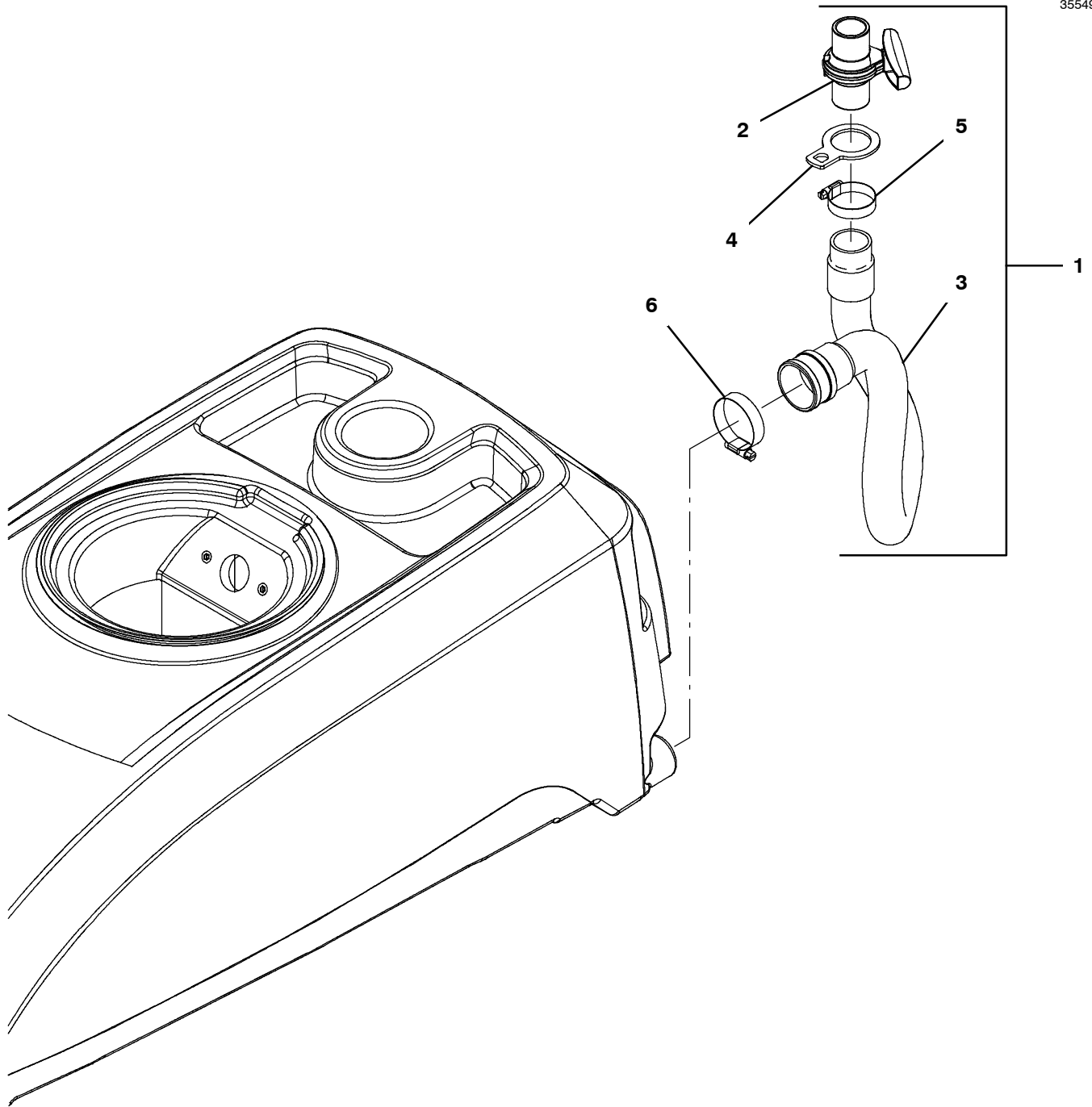


**PARKING BRAKE GROUP**

Ref.	Part No.	Serial Number	Description	Qty.
1	1221694	(10000000- 20000000 )	Clamp, Brake, Parking [T500]	1
2	07785	(10000000- 20000000 )	Nut, Hex, Std, M6 X 1.00, Ss	1
3	1017416	(10000000- 20000000 )	Screw, Weld, M6 X 1.00 X 25, Thru, Ss	1
4	12323	(10000000- 20000000 )	Screw, Pan, Phl, M4 X 0.70 X 20, Ss	4
5	1221695	(10000000- 20000000 )	Plate Wldt, Brake [T500]	1
6	08716	(10000000- 20000000 )	Screw, Hex, M6 X 1.00 X 20, Ss	2
7	360801	(10000000- 20000000 )	Sleeve, 0.32b 0.50d 0.3l, 2cham, Ss	2
8	1221423	(10000000- 20000000 )	Shoe, Brake, Parking	1
9	01684	(10000000- 20000000 )	Washer, Flat, 0.27b 0.69d .05, Ss	2
10	08712	(10000000- 20000000 )	Nut, Hex, Lock, M6 X 1.00, NI, Ss	2
11	75575	(10000000- 20000000 )	Spring, Extn, 0.50od 0.06wir 02.5l	1
12	1224990	(10000000- 20000000 )	Label, Opertnl, Parking Brake	1

CONTROL VALVE DRAIN HOSE

355494



	Ref.	Part No.	Serial Number	Description	Qty.
▽	1	9015727	(10000000- 20000000 )	Hose Kit, Drain, Pu, W/ Valve, Ci[T500e] (Gray)	1
▲	2	1051986	(10000000- 20000000 )	Valve, Ball, 2way, 1.0id Pvc, W/Handle	1
▲	3	1228335	(10000000- 20000000 )	Hose Assy, W/2cuff, 1.5d 022l 2.0/1.5[Pu] (Gray)	1
▲	4	1229567	(10000000- 20000000 )	Strap, Hanger	1
▲	5	11531	(10000000- 20000000 )	Clamp, Hose, Wormdrive, 1.06- 2.00d, .56w	1
	6	22297	(10000000- 20000000 )	Clamp, Hose, Wormdrive, 1.56- 2.50d, .50w	1

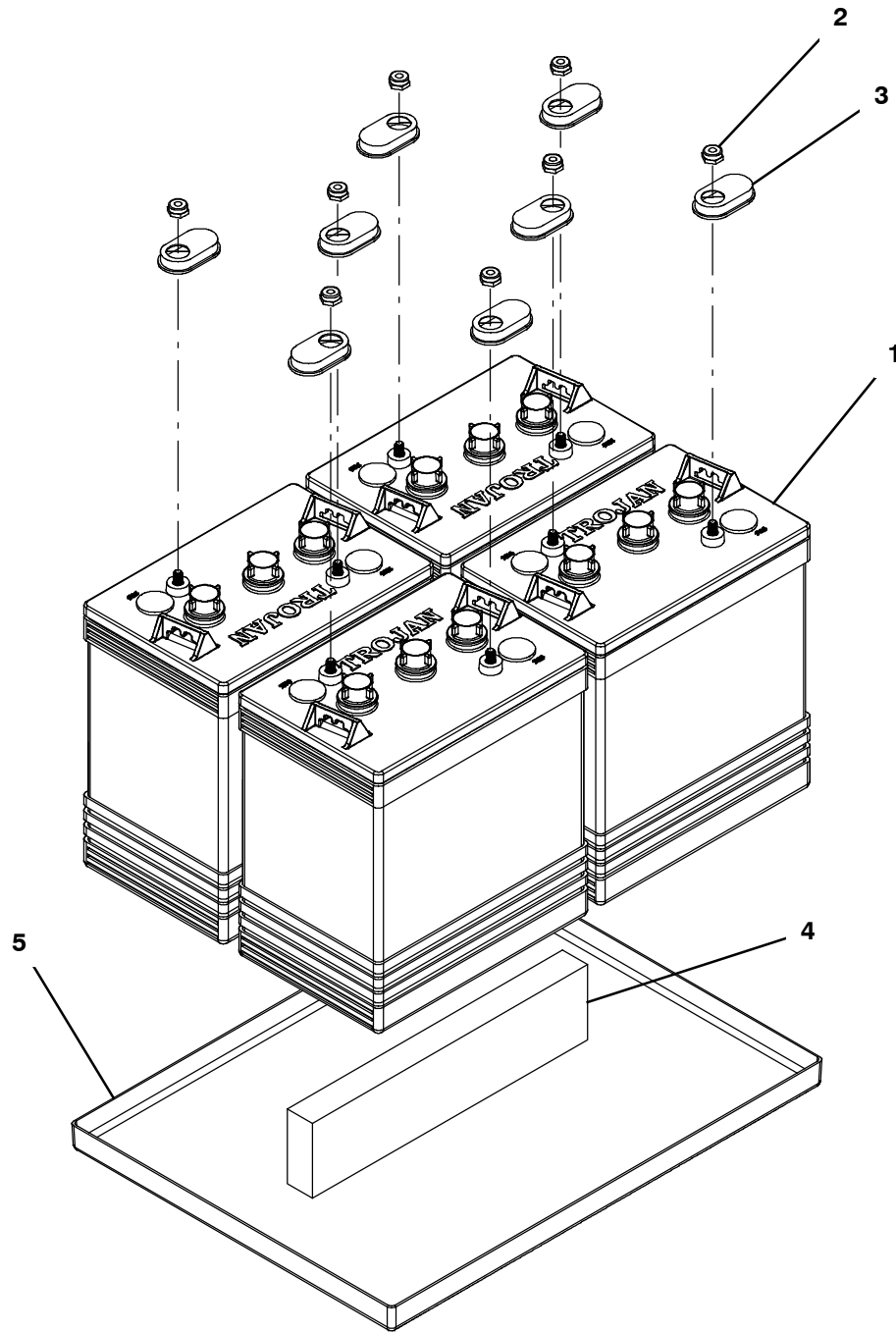
▽ ASSEMBLY

▲ INCLUDED IN ASSEMBLY



BATTERY GROUP, WET 225AH

355452



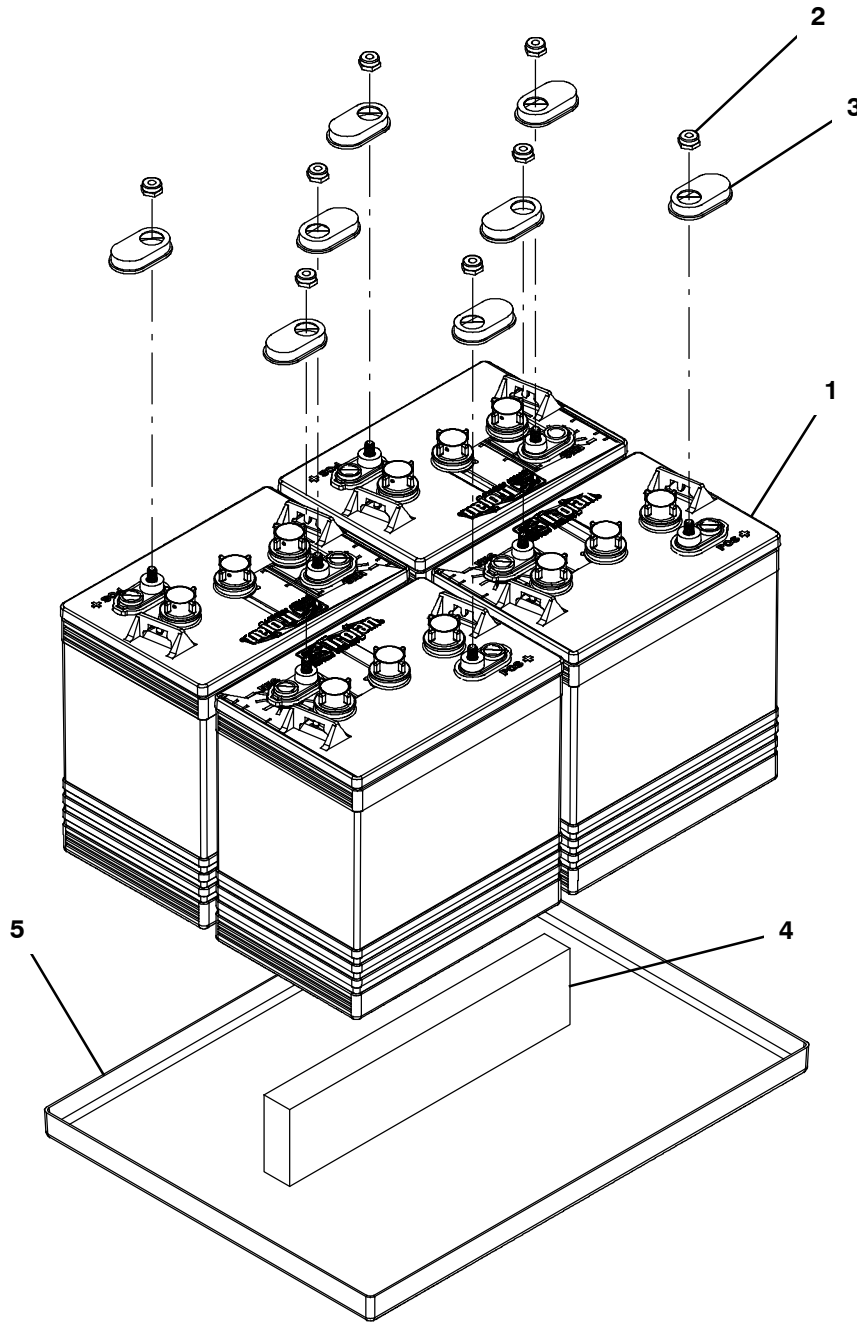
Ref.	Part No.	Serial Number	Description	Qty.
▽	1	10155	(10000000- 20000000 ) Battery, Wet, 06vdc	4
▲	2	87435	(10000000- 20000000 ) Nut, Hex, Flexlock, .31- 18	2
	3	1041030	(10000000- 20000000 ) Cap, Battery, Black [For 155ah]	8
	4	630375	(10000000- 20000000 ) Spacer, Battery, Foam, 1.25 X 3.3 X 13.7	1
	5	1222318	(10000000- 20000000 ) Tray, Battery, Trimmed [T500, Thick]	1

▽ ASSEMBLY

▲ INCLUDED IN ASSEMBLY

BATTERY GROUP, WET 260AH

355448



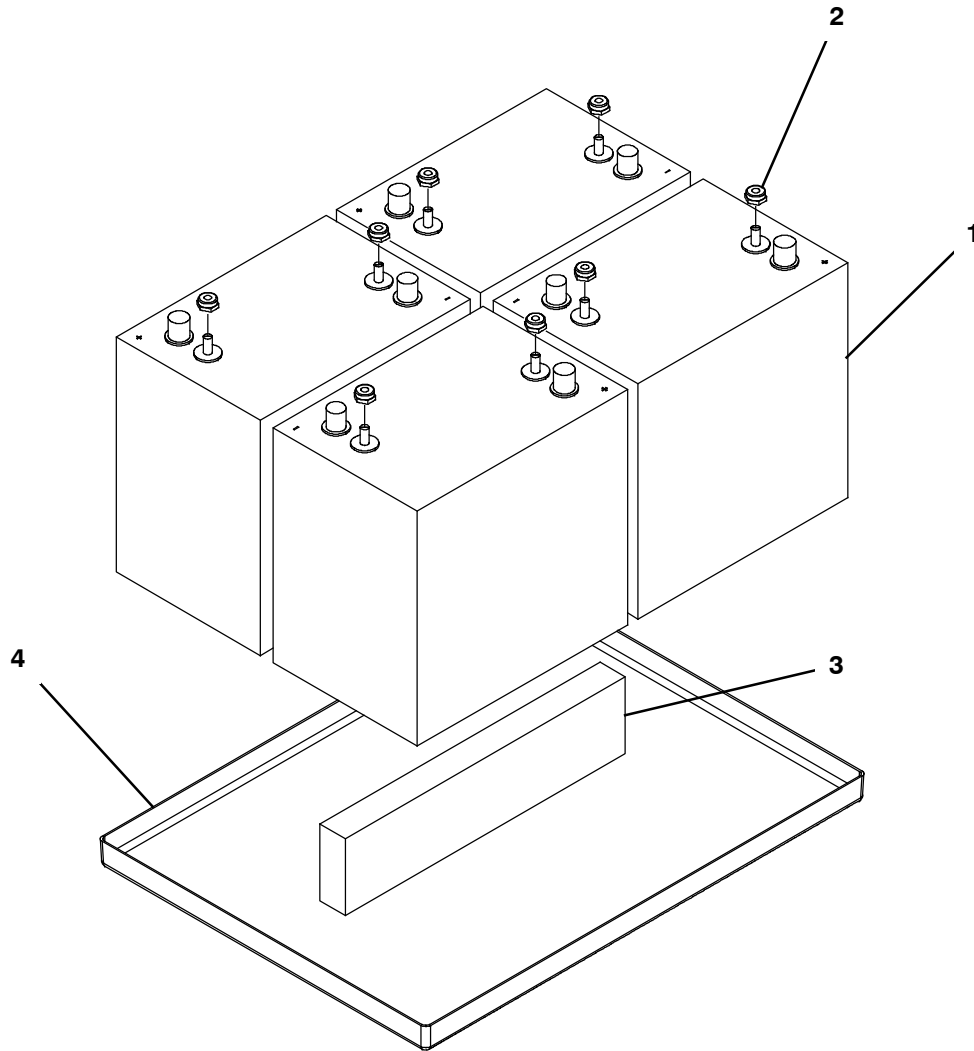
Ref.	Part No.	Serial Number	Description	Qty.
▽	1	390825	(10000000-20000000 ) Battery, Wet, 06vdc 0244ah	4
▲	2	87435	(10000000-20000000 ) Nut, Hex, Flexlock, .31- 18	2
▲	3	1041030	(10000000-20000000 ) Cap, Battery, Black [For 155ah]	2
	4	630375	(10000000-20000000 ) Spacer, Battery, Foam, 1.25 X 3.3 X 13.7	1
	5	1222318	(10000000-20000000 ) Tray, Battery, Trimmed [T500, Thick]	1

▽ ASSEMBLY

▲ INCLUDED IN ASSEMBLY

BATTERY GROUP, AGM 220AH

355450



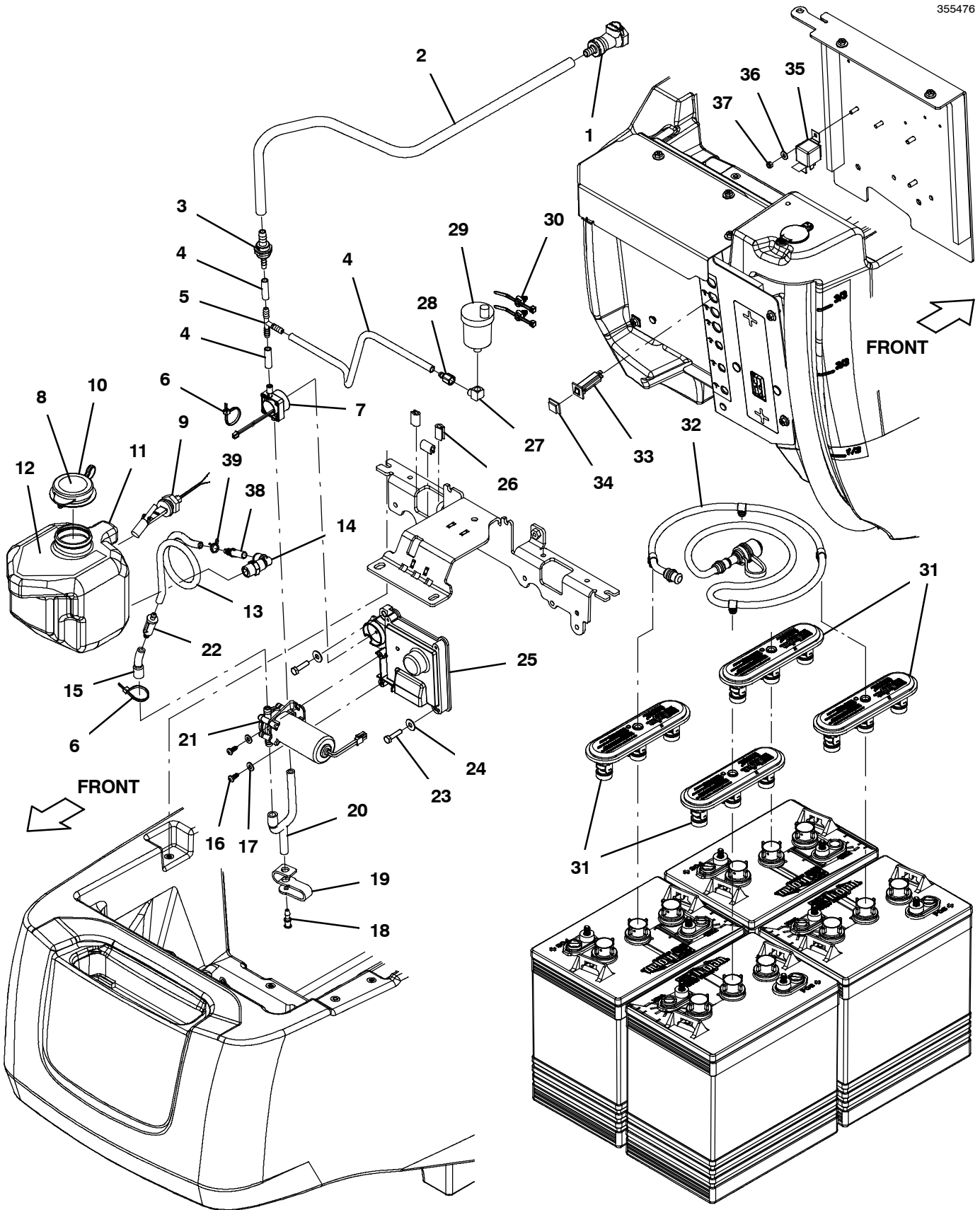
	Ref.	Part No.	Serial Number	Description	Qty.
▽	1	1074042	(10000000- 20000000 )	Battery, Agm, 06vdc, 220ah (Discover)	4
▲	2	87435	(10000000- 20000000 )	Nut, Hex, Flexlock, .31- 18	2
	3	630375	(10000000- 20000000 )	Spacer, Battery, Foam, 1.25 X 3.3 X 13.7	1
	4	1222318	(10000000- 20000000 )	Tray, Battery, Trimmed [T500, Thick]	1

▽ ASSEMBLY

▲ INCLUDED IN ASSEMBLY

SMART-FILL™ AUTOMATIC BATTERY WATERING GROUP

355476

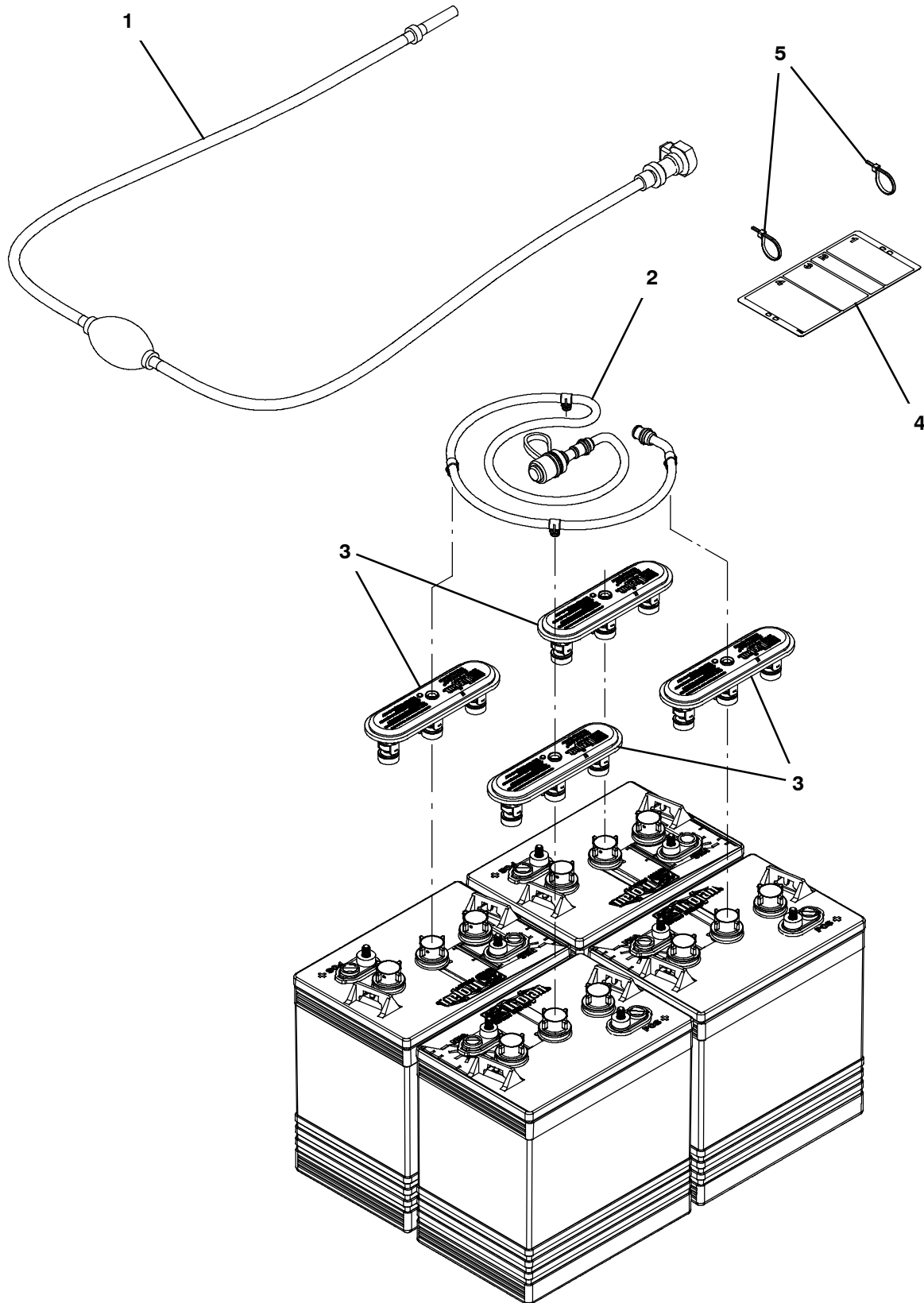


**SMART-FILL™ AUTOMATIC BATTERY WATERING GROUP**

Ref.	Part No.	Serial Number	Description	Qty.
1	1221589	(10000000-20000000)	Fitting, Plstc, Str, Bm06, Cplg, Fem[HI]	1
2	1006416	(10000000-20000000)	Hose, Afmkt, Pvc, Clr, 0.38id, 03ft	1
3	1225185	(10000000-20000000)	Valve, Check, 0002psi Bm04/Bm06	1
4	1006415	(10000000-20000000)	Hose, Afmkt, Pvc, Clr, 0.25id, 03ft	1
5	150713	(10000000-20000000)	Fitting, Plstc, Tee, Bm04/Bm04/Bm04	1
6	130773	(10000000-20000000)	Tie, Cable, Nyl, 11.0l, .14w, 3.0 Max. D	2
7	1222371	(10000000-20000000)	Sensor, Flow, Hall Effect, 5-24vdc	1
8	1224988	(10000000-20000000)	Label, Automated Battery Watering	1
9	1212430	(10000000-20000000)	Sensor, Level, Liq, 30watt, Spst	1
10	1224600	(10000000-20000000)	Cap, Snap, 2.17d [Blue]	1
11	1217453	(10000000-20000000)	Tank [2.5 Liter]	1
12	1228813	(10000000-20000000)	Label, Warning, No Detgt	1
13	1006415	(10000000-20000000)	Hose, Afmkt, Pvc, Clr, 0.25id, 03ft	1
14	1212812	(10000000-20000000)	Fitting, Plstc, E90, Qf06/Pm06, Swivel	1
15	1224108	(10000000-20000000)	Hose, Mold, Bm04/Bm06	1
16	1018155	(10000000-20000000)	Screw, Pan, Phl, M5 X 0.80 X 16, Tcut, Ss	2
17	01683	(10000000-20000000)	Washer, Flat, 10, Ss	2
18	1228042	(10000000-20000000)	Fitting, Plstc, Cap, Bm03 [T500]	1
19	1228043	(10000000-20000000)	Strap, Retaining, Cap [T500]	1
20	1224016	(10000000-20000000)	Hose, Molded, Bm04/Bm06	1
21	1220042	(10000000-20000000)	Pump, Fill, Battery	1
22	1222924	(10000000-20000000)	Filter, In-Line, Bm04/Bm04, 100mic, 2.0l	1
23	1016005	(10000000-20000000)	Screw, Hex, M6 X 1.00 X 25, NI, FI, Ss	2
24	01684	(10000000-20000000)	Washer, Flat, 0.27b 0.69d .05, Ss	2
25	9018008	(10000000-20000000)	Kit, Module, Abw, Ci (See Breakdowns)	1
26	1020168	(10000000-20000000)	Molding, Afmkt, Trim, Pvc, .08 .11, 01ft	1
27	150407	(10000000-20000000)	Fitting, Brs, E90, Pf02/Pm02 [Street]	1
28	1040254	(10000000-20000000)	Fitting, Brs, Str, Bm04/Pf02	1
29	1017386	(10000000-20000000)	Valve, Vent, Air, Float Type	1
30	1210807	(10000000-20000000)	Wire, Tie [W/.25" Fir Tree Clip]	2
31	1204142	(10000000-20000000)	Cap, Fill, Battery [Trojan]	4
32	1229544	(10000000-20000000)	Tube, Water, Battery, 24vdc [Trojan]	1
33	1064187	(10000000-20000000)	Circuitbreaker, 10.0a, Resetable	1
34	1064191	(10000000-20000000)	Boot, Circuitbreaker	1
35	1228510	(10000000-20000000)	Relay, 24vdc, 80a, Spst No, Plug-In	1
36	01683	(10000000-20000000)	Washer, Flat, 10, Ss	1
37	09739	(10000000-20000000)	Nut, Hex, Lock, M5 X 0.80, NI, Ss	1
38	1212857	(10000000-20000000)	Fitting, Plstc, Str, Qm06/Bm04	1
39	613735	(10000000-20000000)	Clamp, Hose, Wir, .40 - .42, Yel	1

HYDROLINK® MANUAL BATTERY WATERING KIT

355454



**HYDROLINK® MANUAL BATTERY WATERING KIT**

	<b>Ref.</b>	<b>Part No.</b>	<b>Serial Number</b>	<b>Description</b>	<b>Qty.</b>
▽		9010300	(10000000- 20000000 )	Battery Fill Kit, 24v, Ci [Hydrolink]	1
▲	1	1058939	(10000000- 20000000 )	Pump Kit, Fill, Battery	1
▲	2	1229544	(10000000- 20000000 )	Tube, Water, Battery, 24vdc [Trojan]	1
▲	3	1204142	(10000000- 20000000 )	Cap, Fill, Battery [Trojan]	4
▲	4	1071084	(10000000- 20000000 )	Label, Tag, Battery [Hydrolink Watering]	1
▲	5	130773	(10000000- 20000000 )	Tie, Cable, Nyl, 11.0l, .14w, 3.0 Max. D	2

▽ ASSEMBLY

▲ INCLUDED IN ASSEMBLY

HYDROLINK® IS A REGISTERED TRADEMARK OF TROJAN BATTERY COMPANY.

## DOCUMENTATION GROUP

Ref.	Part No.	Serial Number	Description	Qty.
	9015505	(10000000- 20000000 )	Manual, Parts [T500e, Na]	1
	9015506	(10000000- 20000000 )	Manual, Oprtr [T500e, En, Na/Intl]	1
	9015507	(10000000- 20000000 )	Manual, Oprtr [T500e, Es, Na]	1
	9015508	(10000000- 20000000 )	Manual, Oprtr [T500e, Fr, Na]	1
	9015509	(10000000- 20000000 )	Manual, Oprtr [T500e, Ptbr]	1
	9015510	(10000000- 20000000 )	Instr, Wall Chart [T500e, Na]	1
	9015511	(10000000- 20000000 )	Manual, Service [T500e, En]	1



To view, print, order, download the latest Parts manual, other language Operator manuals, and Use and Care Guides (wall charts), visit:

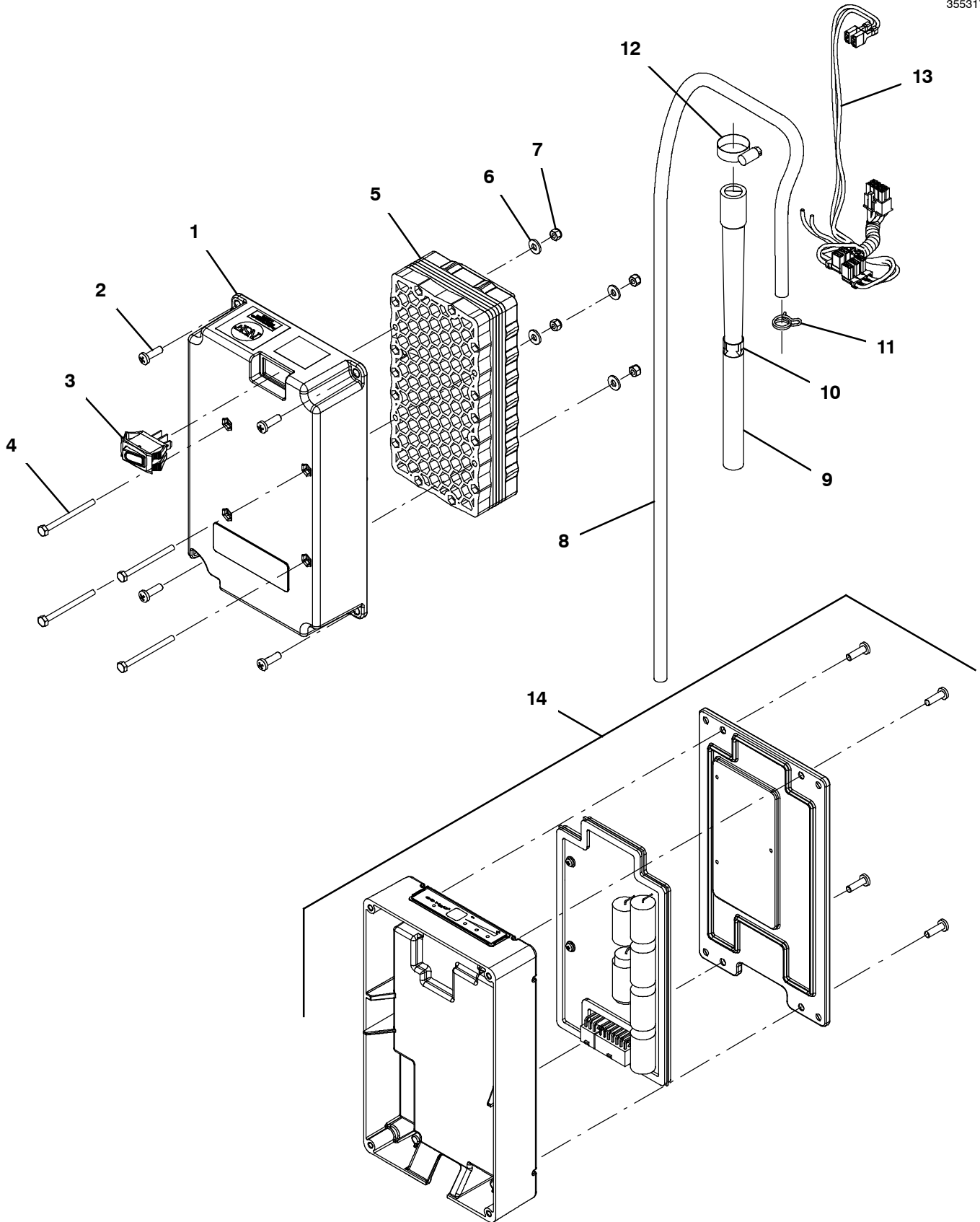
[www.tennantco.com/manual](http://www.tennantco.com/manual)





ec-H2O NANOCLEAN MODULE BREAKDOWN

355317



**ec- H2O NANOCLEAN MODULE BREAKDOWN**

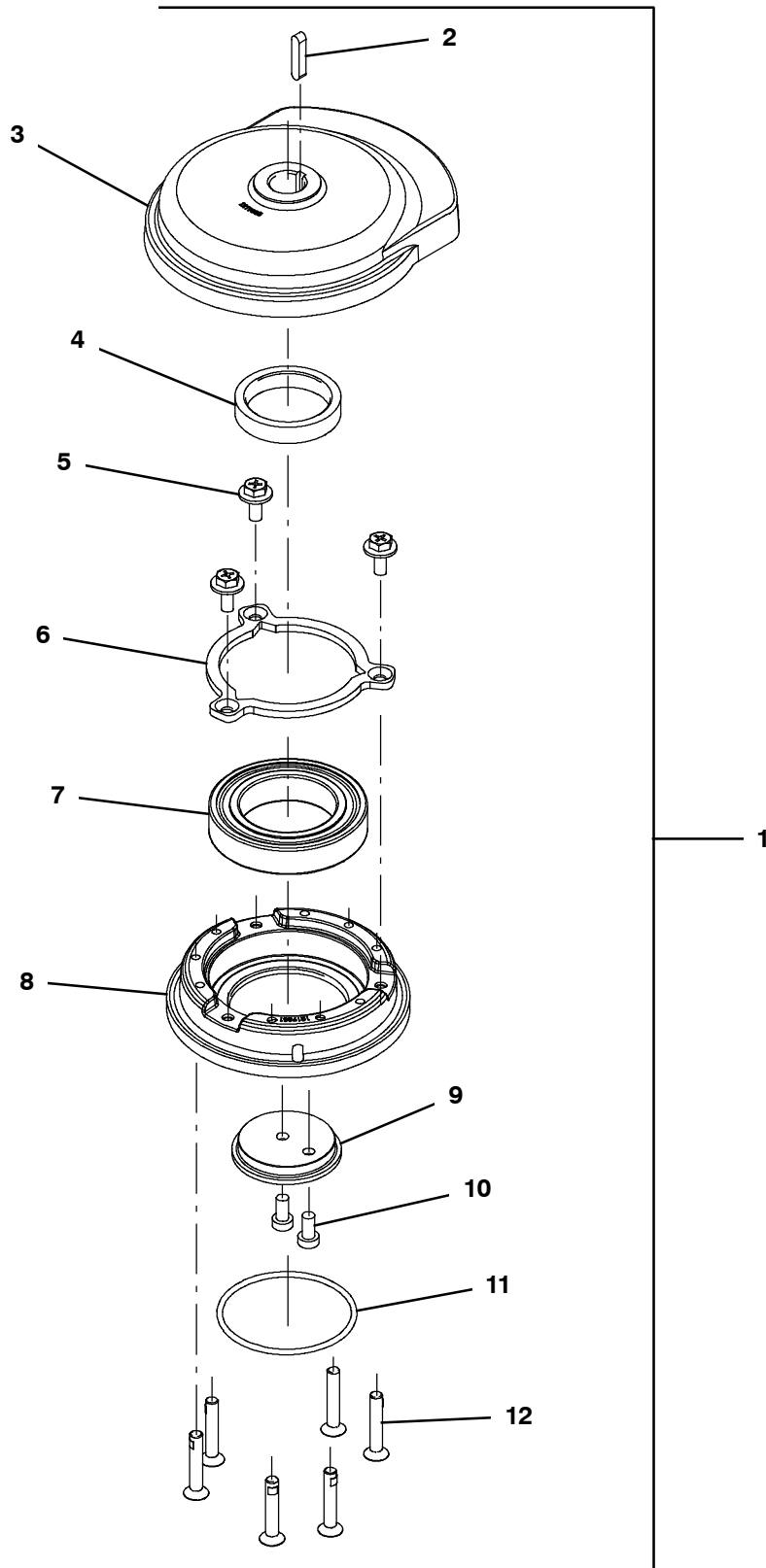
	<b>Ref.</b>	<b>Part No.</b>	<b>Serial Number</b>	<b>Description</b>	<b>Qty.</b>
▽		9011810	(10000000- 20000000 )	Module Kit, Replmt [Ec- H2o, B 02] (Includes ec- H2O NanoClean Cartridge)	1
▲▽		9014126	(10000000- 20000000 )	Ec- H2o Nc Kit [Module B, Plumbing]	1
▲▲	1	1208823	(10000000- 20000000 )	Housing, Module, Upper, Ec- H2o	1
▲▲	2	1015506	(10000000- 20000000 )	Screw, Pan, Phl, M5 X 16, Tcut [Plastic]	4
▲▲	3	1044393	(10000000- 20000000 )	Switch, Rocker, Spst, Mom	1
▲▲	4	32509	(10000000- 20000000 )	Screw, Hex, M4 X 0.70 X 50, Ss	4
▲▲	5	1208164	(10000000- 20000000 )	Electrode, 5 Plate, High Flow	1
▲▲	6	41579	(10000000- 20000000 )	Washer, Flat, 08, Ss	4
▲▲	7	33932	(10000000- 20000000 )	Nut, Hex, Lock, M4 X 0.70, NI, Ss	4
▲▲	8	1006415	(10000000- 20000000 )	Hose, Afmkt, Pvc, Clr, 0.25id, 03ft	1
▲▲	9	1208526	(10000000- 20000000 )	Hose, Molded, Bm08/Bm06	1
▲▲	10	1049637	(10000000- 20000000 )	Label, Direction [Ec- H2o]	1
▲▲	11	613735	(10000000- 20000000 )	Clamp, Hose, Wir, .40 - .42, Yel	1
▲▲	12	54333	(10000000- 20000000 )	Clamp, Hose, Wormdrive, 0.31- 0.88d, .31w	1
▲▲	13	1073286	(10000000- 20000000 )	Harness, Ele, Module B2 [Ec- H2o]	1
▲	14	9014127	(10000000- 20000000 )	Controller Kit, Replmt [Ec- H2o Nc] (Includes ec- H2O NanoClean Cartridge)	1

▽ ASSEMBLY

▲ INCLUDED IN ASSEMBLY

ORBITAL HEAD ECCENTRIC DRIVE BREAKDOWN

355477



**ORBITAL HEAD ECCENTRIC DRIVE BREAKDOWN**

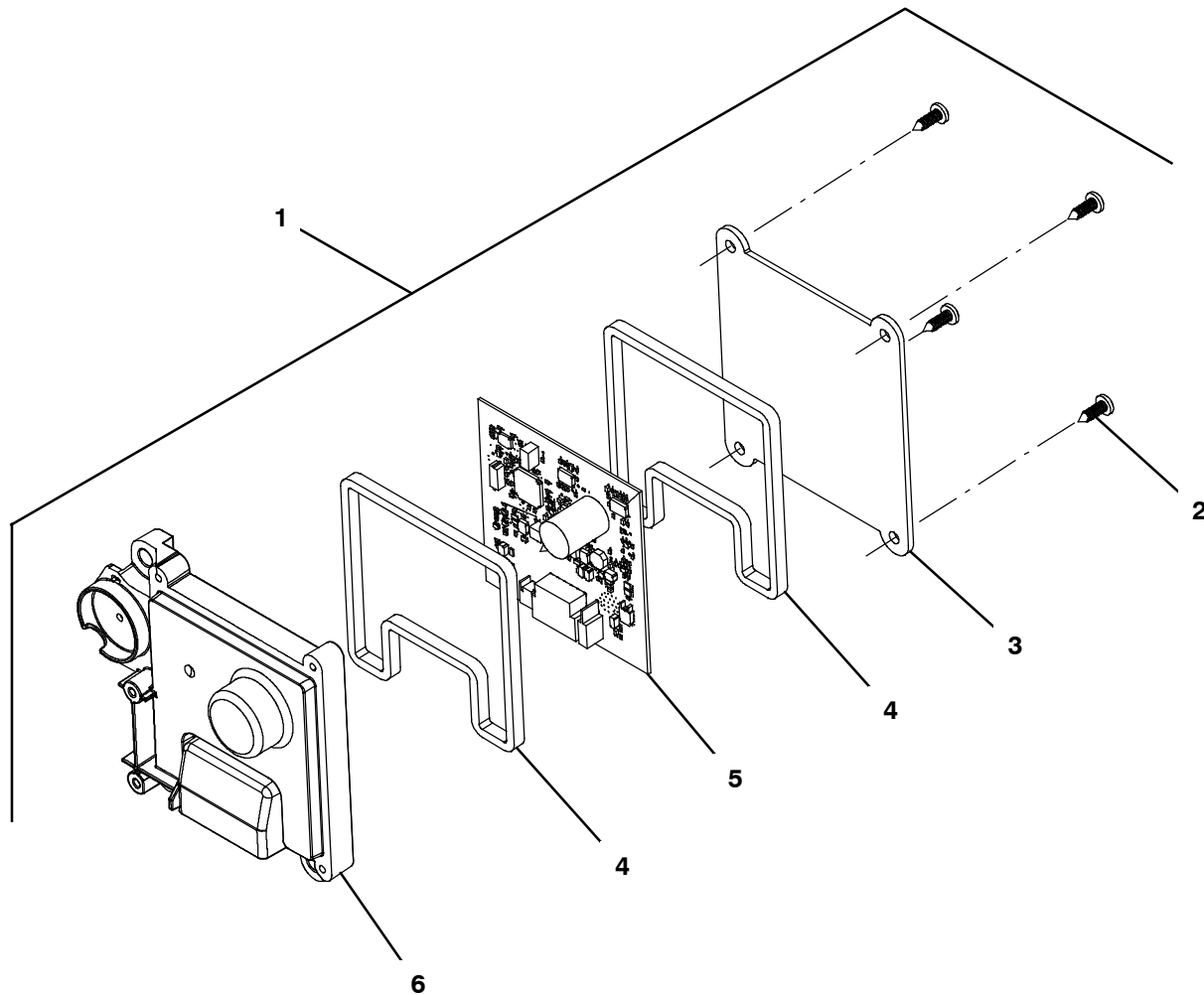
	<b>Ref.</b>	<b>Part No.</b>	<b>Serial Number</b>	<b>Description</b>	<b>Qty.</b>
▽	1	9015774	(10000000- 20000000 )	Eccentric Drive Kit, Orbital	1
▲	2	1231238	(10000000- 20000000 )	Key, Sq, 5mm X 5mm X 22mm	1
▲	3	N/A	(10000000- 20000000 )	Balance, Eccentric, Step [Machined]	1
▲	4	N/A	(10000000- 20000000 )	Spacer, Eccentric	1
▲	5	N/A	(10000000- 20000000 )	Screw, Hex, M6 X 1.00 X 16, Sems	3
▲	6	N/A	(10000000- 20000000 )	Plate, Retainer, Brg, Outer	1
▲	7	1220452	(10000000- 20000000 )	Bearing, Ball, 2.17b 3.54d .71w	1
▲	8	N/A	(10000000- 20000000 )	Housing, Bearing, Outer [Machined]	1
▲	9	N/A	(10000000- 20000000 )	Retainer, Bearing, Inner [Qpq]	1
▲	10	N/A	(10000000- 20000000 )	Screw, Soc, M6 X 1.00 X 12, 8.8, Low	2
▲	11	1221394	(10000000- 20000000 )	Seal, Org, .125 X 02.63id	1
▲	12	1212710	(10000000- 20000000 )	Screw, Flt, Soc, M6 X 1.00 X 35, 10.9,NI	6

▽ ASSEMBLY

▲ INCLUDED IN ASSEMBLY

## AUTOMATIC BATTERY WATERING MODULE BREAKDOWN

355564



	Ref.	Part No.	Serial Number	Description	Qty.
▽	1	9018008	(10000000-20000000 )	Kit, Module, Abw, Ci	1
▲	2	1018155	(10000000-20000000 )	Screw, Pan, Phl, M5 X 0.80 X 16, Tcut, Ss	4
▲	3	1223055	(10000000-20000000 )	Panel, Mtg, Fill, Auto, Battery	1
▲	4	1223286	(10000000-20000000 )	Seal, Cover, Board, Battery Watering	2
▲	5	1220931	(10000000-20000000 )	Circuitboard Assy [Abw Module]	1
▲	6	1223261	(10000000-20000000 )	Cover, Circuitboard, Battery Watering	1

▽ ASSEMBLY

▲ INCLUDED IN ASSEMBLY

